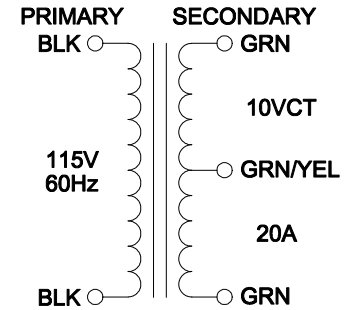
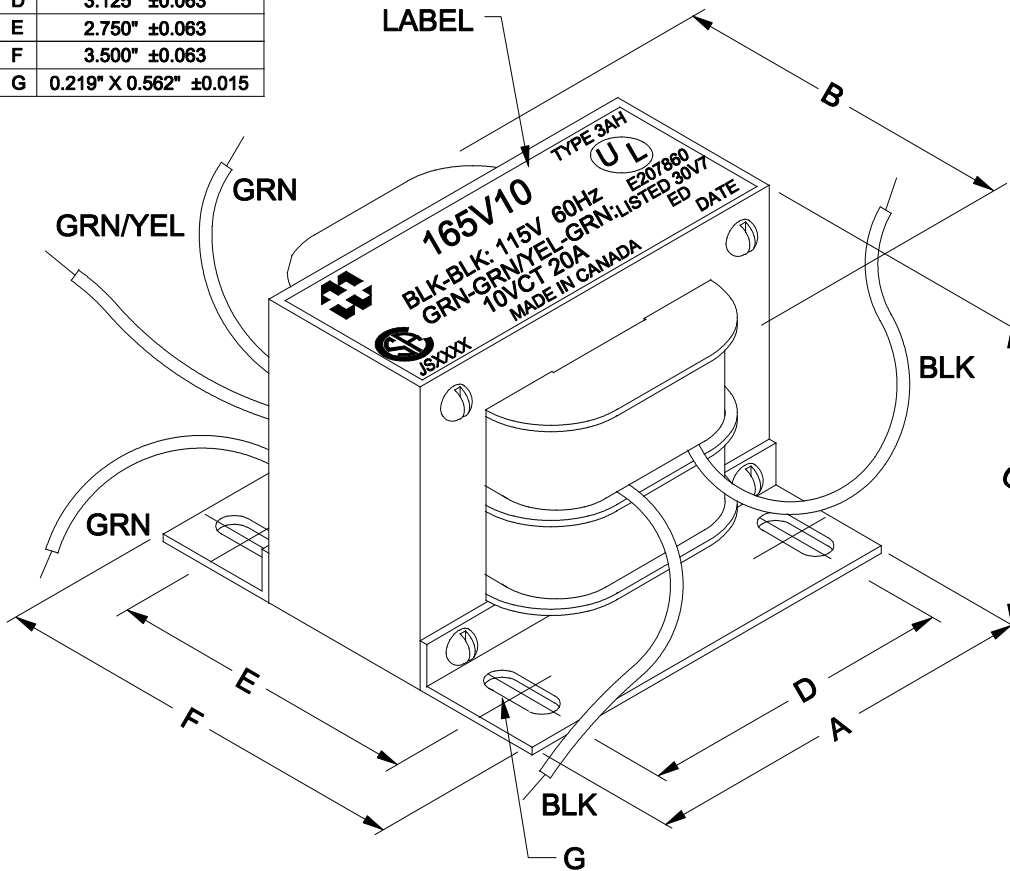


| DIMENSIONS: | |
|-------------|------------------------|
| A | 3.750" ±0.063 |
| B | 3.125" ±0.125 |
| C | 3.125" ±0.063 |
| D | 3.125" ±0.063 |
| E | 2.750" ±0.063 |
| F | 3.500" ±0.063 |
| G | 0.219" X 0.562" ±0.015 |



NOTE: ALL LEADS 6" OUT MIN. STRIPPED 0.5"

| ELECTRICAL DATA: | | |
|------------------|---------------------------------|---------------------|
| TESTS | CONDITIONS | ACCEPTANCE CRITERIA |
| Iex | @ 115V, 60Hz, BLK - BLK | 662mA Max. |
| Sec. N.L.V | @ 115V, 60Hz, BLK - BLK | |
| | GRN - GRN/YEL = GRN/YEL - GRN = | 5.349V ±2% |
| | GRN - GRN = | 10.70V ±2% |
| DCR | @ 20°C, BLK - BLK = | 1.294 Ω ±20% |
| | @ 20°C, GRN - GRN = | 0.012 Ω ±20% |
| HIPOT | PRIMARY - SECONDARY | 2000V, 60Hz, 1 SEC |

| REV.# | REVISION | DATE | HAMMOND ELECTRONIC DIVISION | | |
|-------|-----------|---------------|---|-------------------------|--------------------------|
| 0 | RELEASED. | C.I. 09/18/18 | 52 RANKIN PLACE, WATERLOO, ONTARIO, N2J 3Z5 | | |
| | | | PH # (519) 886-6181 FAX # (519) 886-9540 | | |
| | | | DWG. BY: C. ILIE | CHK'D BY: | TITLE: POWER TRANSFORMER |
| | | | DATE: 09/18/18 | APP'D. BY: | DWG. NO. 165V10 |
| | | | | DIMENSIONS: IN(X) MM() | |