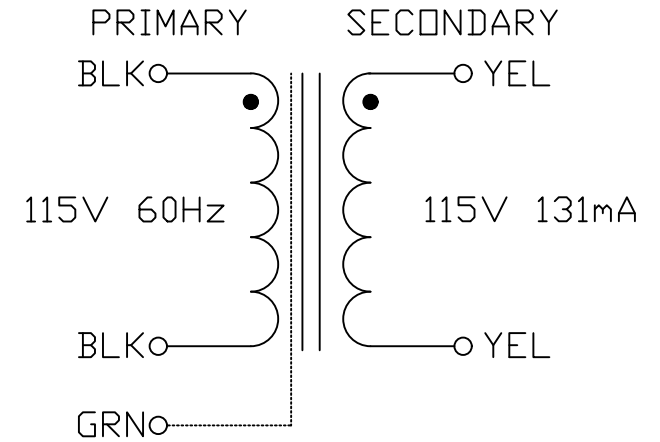
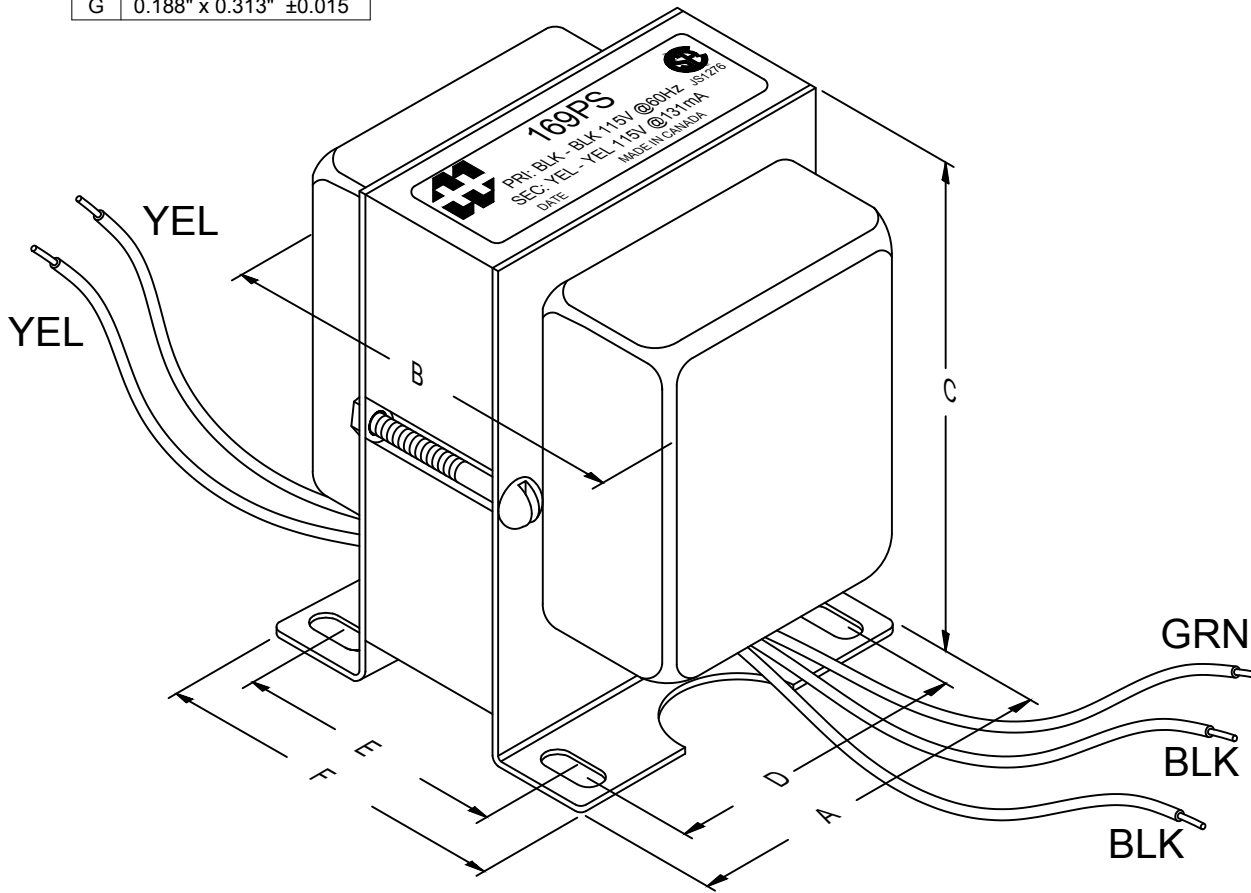


DIMENSIONS:	
A	1.875" ±0.063
B	2.031" ±0.125
C	2.468" ±0.063
D	1.500" ±0.063
E	1.188" ±0.063
F	1.625" ±0.063
G	0.188" x 0.313" ±0.015



NOTE: ALL LEADS 8" OUT MIN.

ELECTRICAL DATA:		
TESTS	CONDITIONS	ACCEPTANCE CRITERIA
Iex	@ 115V, 60Hz, BLK - BLK	105.6mA Max.
Sec. N.L.V	@ 115V, 60Hz, BLK - BLK YEL - YEL =	129.7V ±2%
DCR	@ 20°C, BLK - BLK =	38.40 Ω ±20%
	@ 20°C, YEL - YEL =	54.00 Ω ±20%
HIPOT	PRIMARY - SECONDARY	1500V, 60Hz, 1 SEC

REV.#	REVISION	DATE		<b>ELECTRONIC DIVISION</b> 52 RANKIN PLACE, WATERLOO, ONTARIO, N2J 3Z5		PH # (519) 886-6181 FAX # (519) 886-9540
0	RELEASED.	12/03/18				
			DWG. BY: C. ILIE	CHK'D BY:	TITLE: LINE ISOLATING TRANSFORMER	DWG. NO. 169PS
			DATE: 12/03/18	APP'D. BY:		
			DIMENSIONS: IN(X) MM( )			