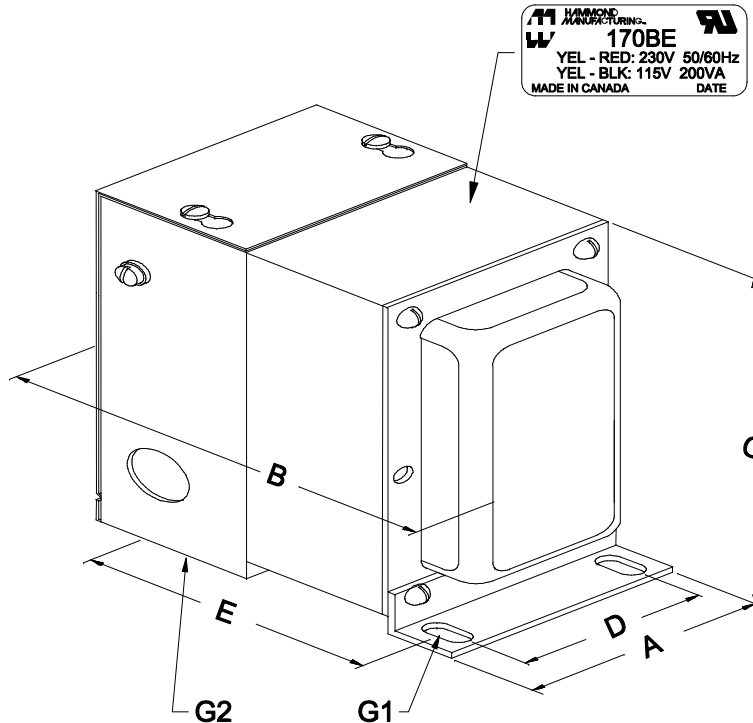
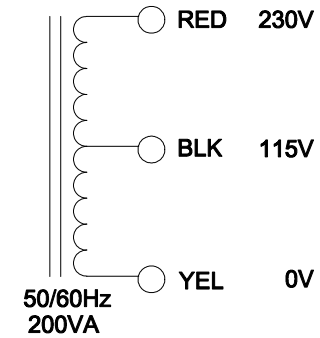


DIMENSIONS:	
A	3.125" ±0.063
B	4.250" ±0.125
C	4.125" ±0.063
D	2.250" ±0.063
E	3.375" ±0.063
G1	0.219" x 0.563" ±0.015
G2	0.250" x 0.500" ±0.015

UNIT WEIGHT: 5LBS.



NOTE: LEADS FROM COIL 8" OUT MIN.-STRIP 0.5"



ELECTRICAL DATA:		
TESTS	CONDITIONS	ACCEPTANCE CRITERIA
I _{ex}	@ 230V, 60Hz, YEL - RED	121.2mA Max.
Sec. N.L.V	@ 230V, 60Hz, YEL - RED YEL - BLK =	115.0V ±2%
DCR	@ 20°C, YEL - BLK = @ 20°C, BLK - RED =	3.053 Ω ±20% 3.053 Ω ±20%
HIPOT	PRIMARY - CORE	2000V, 60Hz, 1 SEC

REV.#	REVISION	DATE	HAMMOND MANUFACTURING™		ELECTRONIC DIVISION	
0	RELEASED.	C.I. 11/20/17	52 RANKIN PLACE, WATERLOO, ONTARIO, N2J 3Z5		PH # (519) 886-6181 FAX # (519) 886-9540	
			DWG. BY: C. ILIE	CHK'D BY:	TITLE: POWER TRANSFORMER	DWG. NO. 170BE
			DATE: 11/20/17	APP'D. BY:		
				DIMENSIONS: IN(X) MM()		