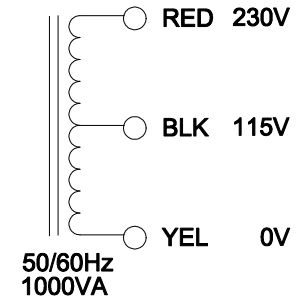
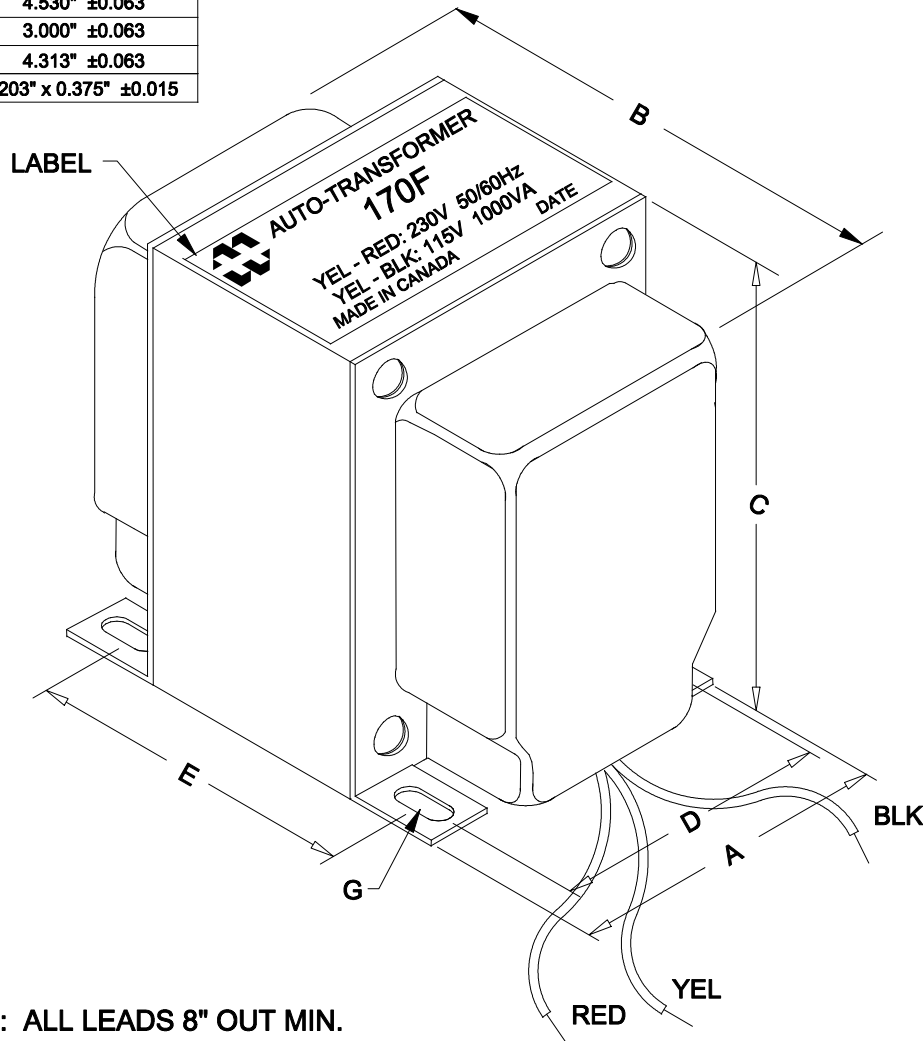


DIMENSIONS:	
A	3.750" ±0.063
B	5.436" ±0.125
C	4.530" ±0.063
D	3.000" ±0.063
E	4.313" ±0.063
G	0.203" x 0.375" ±0.015



NOTE: ALL LEADS 8" OUT MIN.

ELECTRICAL DATA:		
TESTS	CONDITIONS	ACCEPTANCE CRITERIA
I <sub>ex</sub>	@ 230V, 60Hz, YEL - RED	240mA Max.
Sec. N.L.V	@ 230V, 60Hz, YEL - RED YEL - BLK =	115.0V ±2%
DCR	@ 20°C, YEL - RED =	0.796 Ω ±20%
HIPOT	PRIMARY - CORE	2000V, 60Hz, 1 SEC

REV.#	REVISION	DATE	HAMMOND ELECTRONIC DIVISION		
0	RELEASED. C.I.	11/14/18	52 RANKIN PLACE, WATERLOO, ONTARIO, N2J 3Z5		
			PH # (519) 886-6181	FAX # (519) 886-9540	
			DWG. BY: C. ILIE	CHK'D BY:	TITLE: AUTO TRANSFORMER
			DATE: 11/14/18	APP'D. BY:	DWG. NO. 170F
				DIMENSIONS: IN(X) MM( )	