

## Plug-In Isolation Transformers (115VAC to 115VAC)

# 171B



### Hammond Plug-In Isolation Transformers

Hammond isolation transformers provide complete circuit isolation to protect your sensitive electronics. 171B features an electrostatic shield between the primary and secondary which greatly attenuates surges and noise caused by power problems on the same circuit or by supply disruptions from utilities. Isolation transformers are an essential for laboratory test benches where line voltage is used.

For safety concerns, every 171B has been hi-pot tested to 2KV RMS, and features a 2 amp circuit breaker on the primary. The primary features a 5' cord with a standard NEMA 5-15P plug. The secondary is connected to a 1' cord with a standard NEMA 5-15R receptacle. All units carry the North American mark of safety C UL & UL listed (File # E211544).



### Features

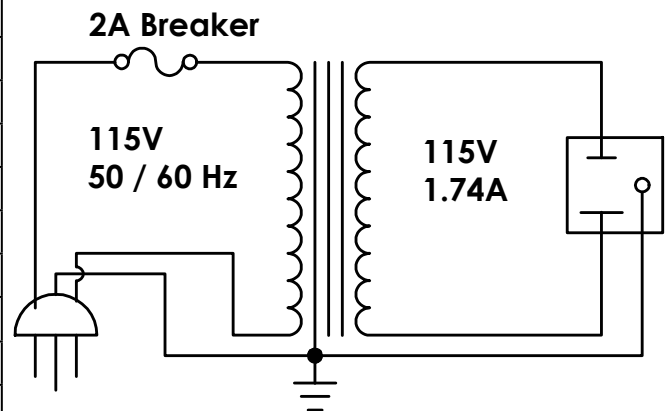
- Primary 115VAC, 50/60 Hz., Secondary 115VAC
- Provides complete circuit isolation.
- Faraday electrostatic shield between primary & secondary to greatly attenuate surges and noise.
- Hi-pot tested to 2 KV RMS.
- Circuit breaker in primary.
- Standard 3-wire, grounded plug & receptacle.
- Input (primary) connected to 5 foot long cord & standard North American plug (NEMA 5-15P).
- Output (secondary) connected to 1 foot long "pig tail" cord, 3-wire, standard North American grounded receptacle (NEMA 5-15R).
- North American Mark of Safety - C UL & UL listed (File #E211544)
- Indoor use only
- **Remember** - These units do NOT convert line frequency

## Plug-In Isolation Transformers (115VAC to 115VAC)

# 171B

### Electrical Specifications:

Primary Voltage	115VAC
Secondary Voltage	115VAC
Frequency	50 / 60 Hz
Capacity VA	200
Leakage Current	< 100 $\mu$ A (typical)
Full Load Efficiency	93% (typical)
Full Load Total Harmonic Distortion	0.20% (typical)
Surge/ Noise Suppression	-37 dB (typical)
Capacitance Between Windings @ 1 kHz	15 pF (typical)
Circuit Breaker (Amps)	2A on primary



### Dimensions

A	3.8" / 97 mm
B	5.56" / 141 mm
C	4.68" / 119 mm
D	3" / 76 mm
E	3.88" / 99 mm
Weight	8 lbs / 3.63 kg
Cord Length (Primary)	5ft / 1.52m
Cord Length (Secondary)	1ft / 0.30m
Plug on Primary	NEMA 5-15P
Receptacle on Secondary	NEMA 5-15R

