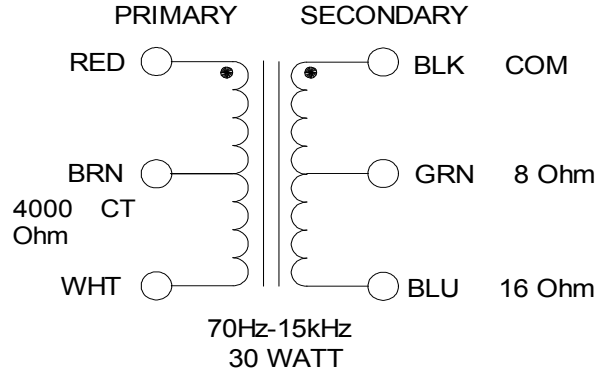


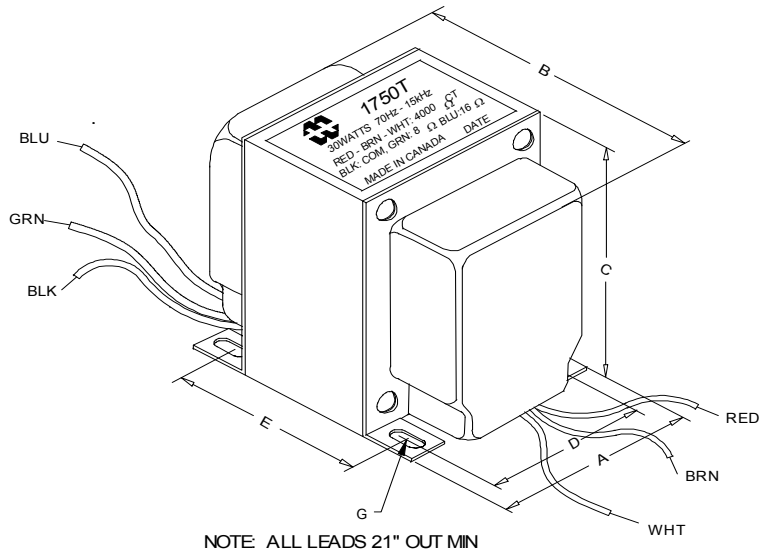
# 1750T

## TUBE GUITAR AMPLIFIER - OUTPUT TRANSFORMER

- Designed for drop in replacement of original units such as VOX<sup>1</sup> AC30 Reissue (P-TVO30R)
- Constructed to look similar to original factory units (where possible).
- Material used & design specifications were kept as close as possible to the original part to preserve the stock "tone".
- Open style with minimum 21" long primary and secondary leads
- Frequency response 70Hz - 15KHz (0/-1dB reference @ 1KHz)
- Distortion is less than 1% @ 70Hz



ELECTRICAL SPECIFICATIONS	
Characteristics	Typical
Input Impedance	4000 Ohms
Output Impedance	8 & 16 Ohms
Output Power	30 W
<b>DCR</b>	
Primary Red-Brown	54.00 Ohms
Primary Brown-White	60.00 Ohms
Secondary Black-Blue	0.520 Ohm
<b>Inductance   Impedance</b> @ 1.0 kHz, 1.0 V OC	
Primary Red-White	15.2H   102K Ohm
Secondary Black-Green	37.45mH   336.1 Ohm
Secondary Black-Blue	70.66mH   604.2 Ohm
<b>Leakage Inductance</b> @ 1.0 kHz, 1.0 V SC	
Primary Red-White	4.61 mH
<b>Dielectric Strength</b> 2000VRMS	
<b>Temperature Range</b> -40 to 105 degC	



Dimensions			
A	3.125" ±0.063	C	3.800" ±0.063
B	3.300" ±0.125	D	2.500" ±0.063
E	2.438" ±0.063	G	0.188" X 0.406" ±0.015

## TEST CONDITIONS

Measurement instruments:

D scope series iii audio analyzer  
Wayne Kerr 3255B with a 3265B

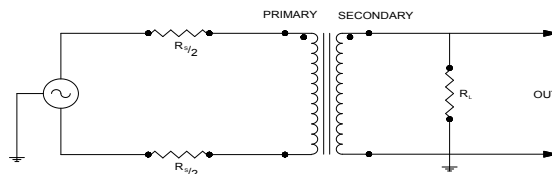
Keithley 2010 DVM

Hp4192a impedance analyzer

\* All graphs input level 27dBu @1.0KHz reference.

\*\*The results are typical and are subject to normal manufacturing and electrical tolerances.

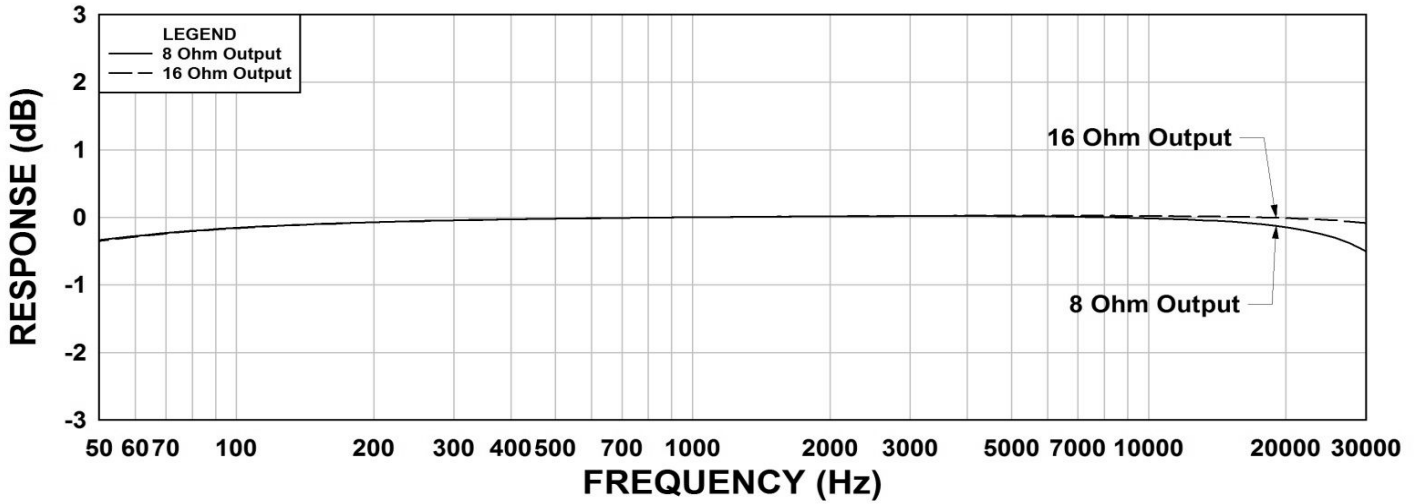
## TYPICAL TEST CIRCUIT



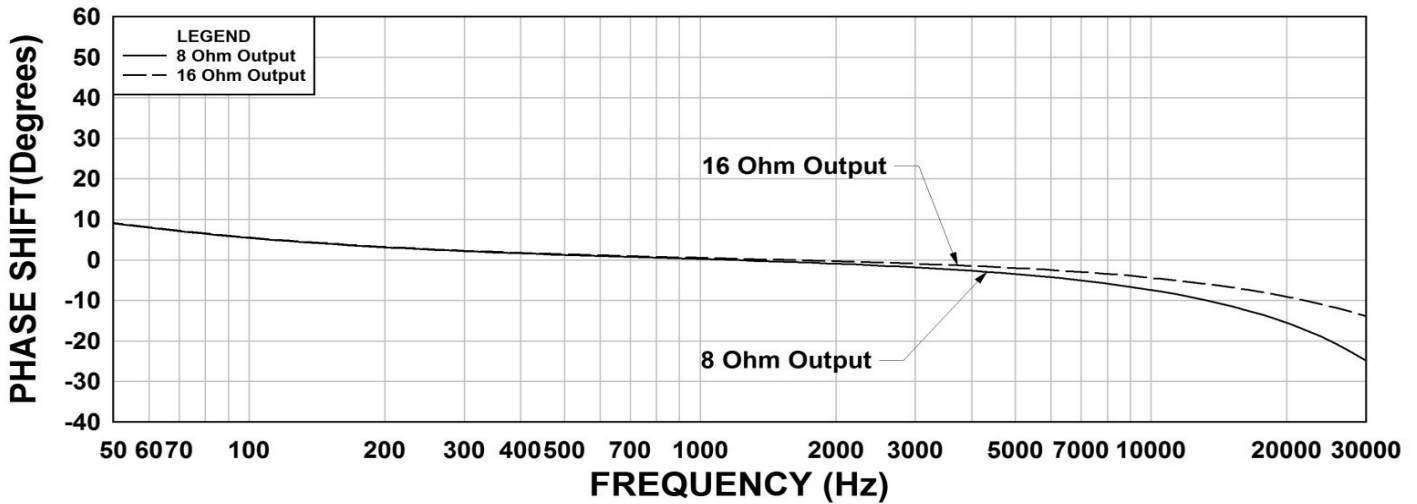
<sup>1</sup>DISCLAIMER: Hammond Mfg. is not affiliated with Fender Musical Instruments Corp., Marshall Amplification, Yorkville/Traynor, AMPEG or VOX Amplification companies.

Amplifier model names are trademarks of the amplifier companies and are just listed here for reference purpose only.

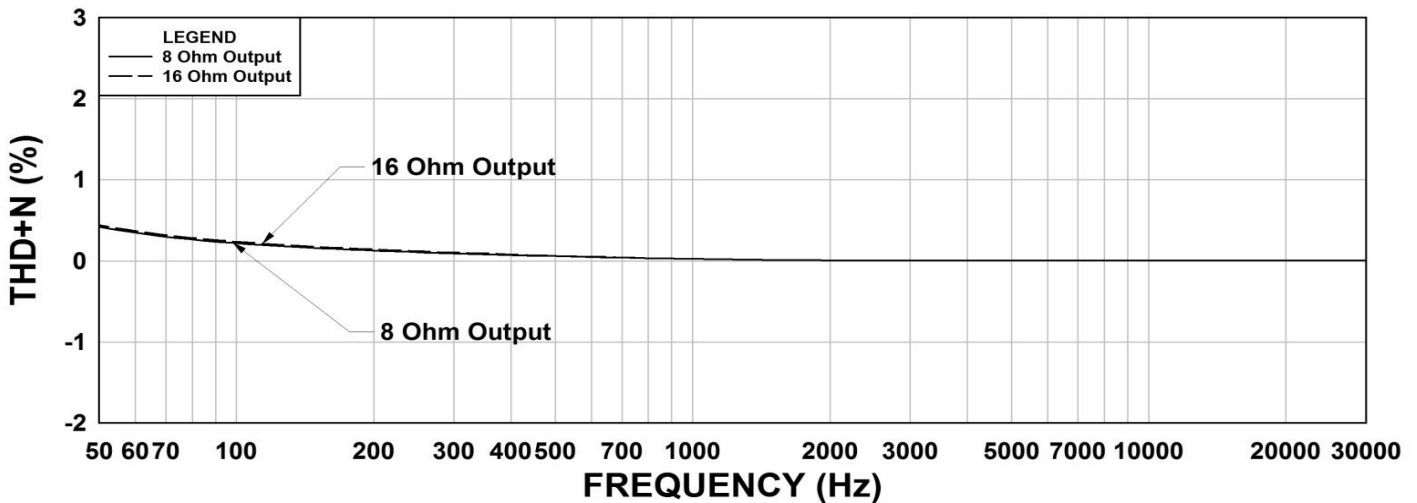
### 1750T Frequency Response RL = 4K Ohms



### 1750T Phase Shift RL = 4K Ohms



### 1750T THD+N RL = 4K Ohms



This drawing and the information in it is the property of Hammond Manufacturing. It may not be reproduced, transmitted or used in any manner whatsoever without the written permission of Hammond Manufacturing. Data subject to change without notice.