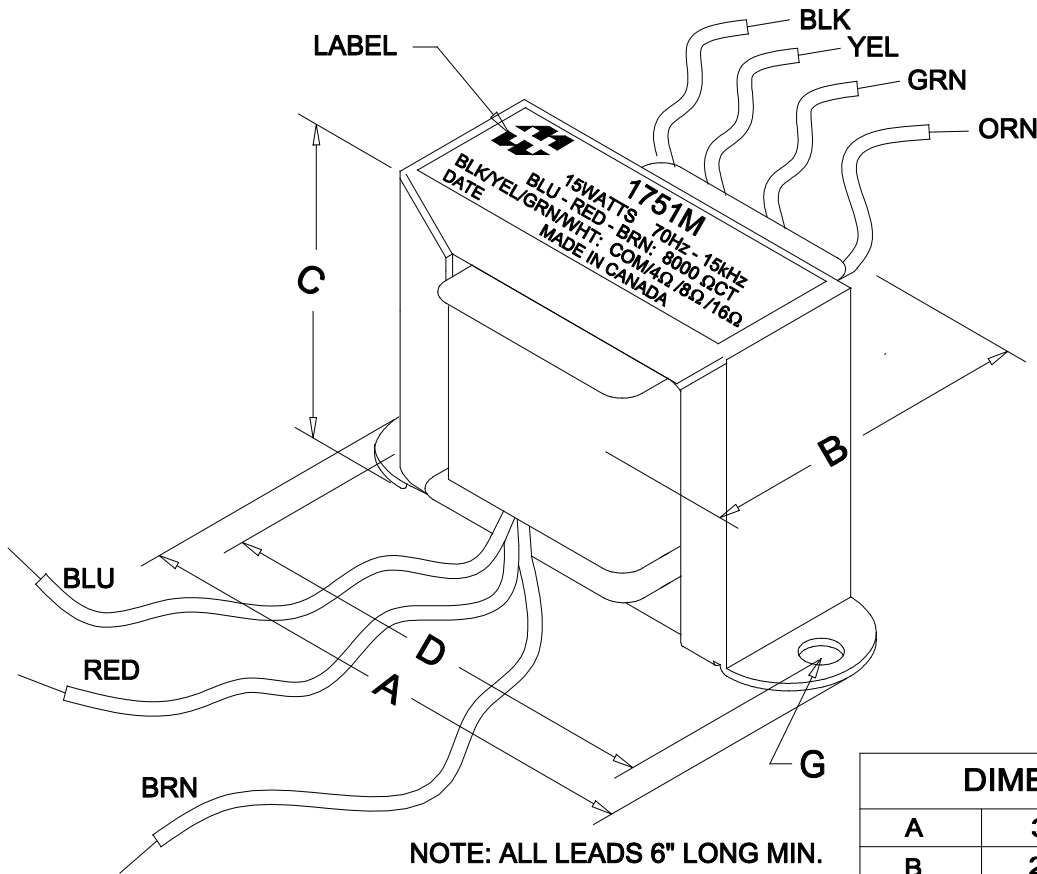


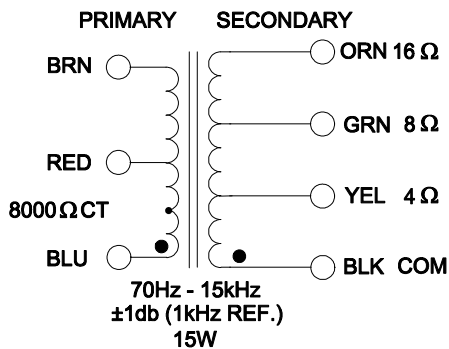
1751M



NOTE: ALL LEADS 6" LONG MIN.

DIMENSIONS:

A	3.688" ±0.063
B	2.400" ±0.125
C	2.308" ±0.063
D	3.130" ±0.063
G	0.187" ±0.015



ELECTRICAL DATA:

Turns ratio:	4 ohm (44.77:1) , 8 ohm (31.57) , 16 ohm (22.38:1)
Inductance	@ 250V, 60Hz =>19.66H (Open circuit)
DCR	@ 20°C, BLU - BRN = 347.8 Ω ±20%
	@ 20°C, BLK - YEL= 0.686 Ω ±20%
	@ 20°C, BLK - GRN = 0.723 Ω ±20%
	@ 20°C, BLK - GRN = 0.887 Ω ±20%
HiPot Test	1500 Vac Winding to Winding/Core
FREQ. RESP	@ 15W, 70Hz - 15kHz = BLU - BRN ±1dB (1kHz Ref.)
Pri. Impedance	8000 Ω (346.5V)
Sec. Impedance	4/8/16 Ω (7.746V/10.95V/15.49V)
Power	15 WATTS



**HAMMOND
ELECTRONICS**

52 RANKIN PLACE,
WATERLOO, ONTARIO, N2L 3Z5.

PHONE (519) 886-6181
FAX # (519) 886-9540

TITLE

OUTPUT TRANSFORMER

1751M

			DR BY D.Hutt
			DATE 01/25/21
NO	DATE	REVISION	DIM IN(X)MM()