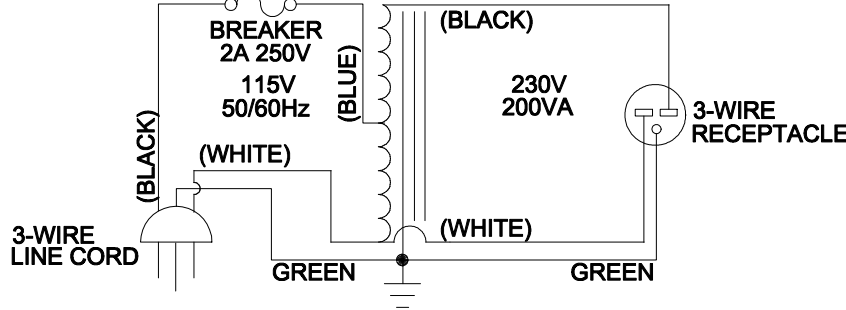
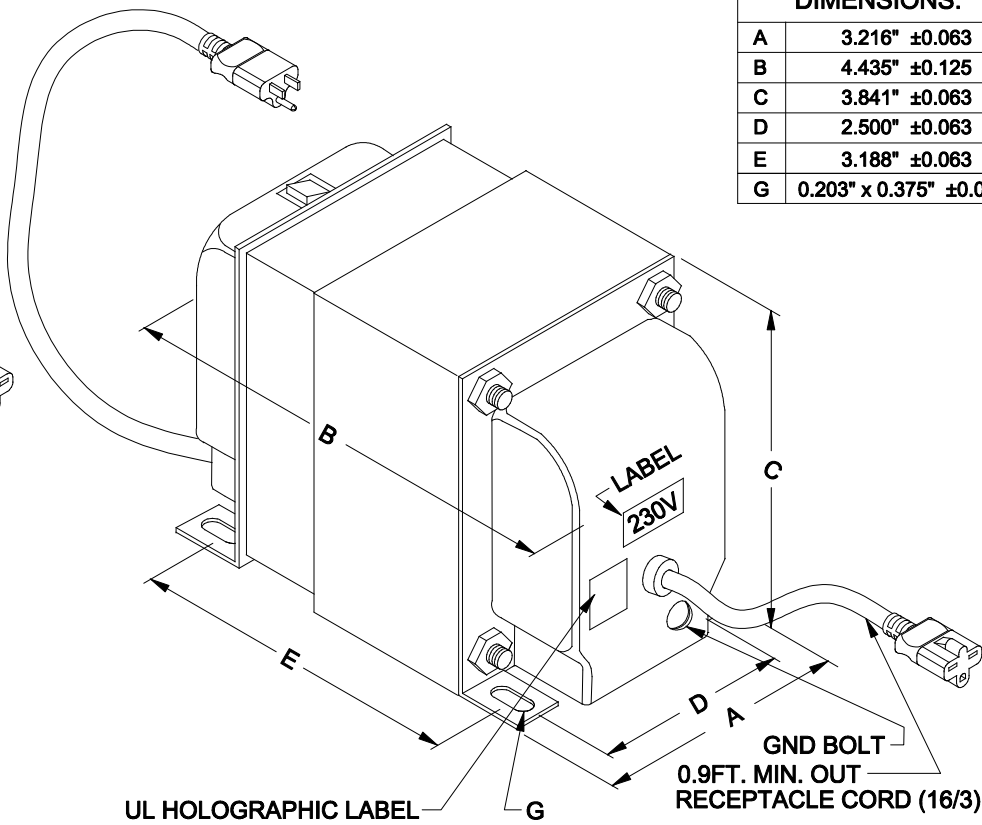
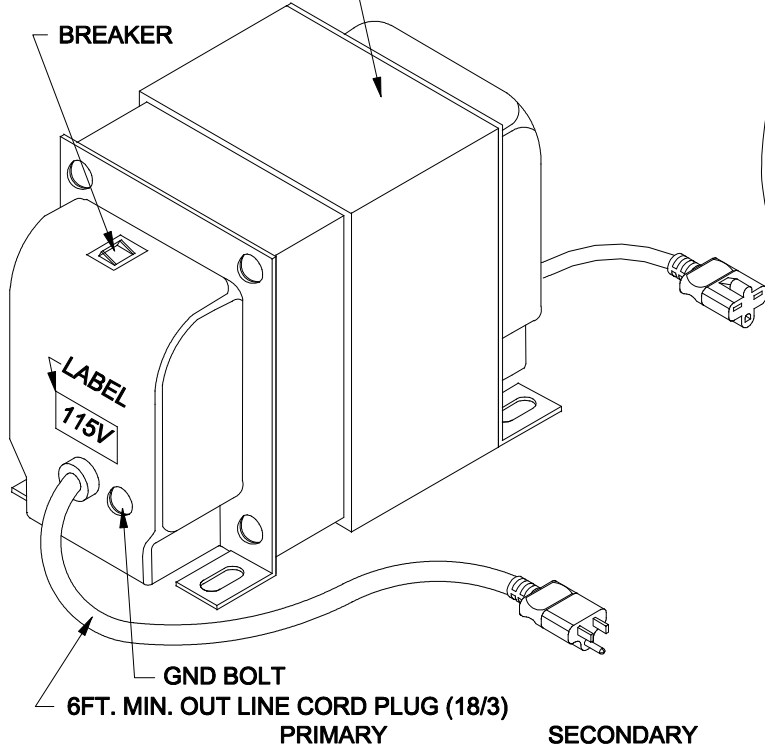


HAMMOND MANUFACTURING. AUTOTRANSFORMER
176B
 INPUT 115V 50/60Hz 200VA
 OUTPUT 230V 0.87A
 DATE _____ MADE IN CANADA



DIMENSIONS:	
A	3.216" ±0.063
B	4.435" ±0.125
C	3.841" ±0.063
D	2.500" ±0.063
E	3.188" ±0.063
G	0.203" x 0.375" ±0.015



ELECTRICAL DATA:		
TESTS	CONDITIONS	ACCEPTANCE CRITERIA
Iex	@ 115V, 60Hz, TO CORD PLUG	658mA Max.
Sec. N.L.V	@ 115V, 60Hz, TO CORD PLUG	
	RECEPTACLE PLUG =	236.1V ±2%
DCR	@ 20°C, TO CORD PLUG =	2.980 Ω ±20%
	@ 20°C, RECEPTACLE PLUG =	5.930 Ω ±20%
HIPOT	PRIMARY - SECONDARY	2000V, 60Hz, 1 SEC

REV.#	REVISION	DATE
0	RELEASED.	C.I. 06/17/20

HAMMOND MANUFACTURING ELECTRONIC DIVISION
 52 RANKIN PLACE, WATERLOO, ONTARIO, N2J 3Z5
 PH # (519) 886-6181 FAX # (519) 886-9540

DWG. BY: C. ILIE	CHK'D BY:	TITLE: AUTO-TRANSFORMER STEP UP - PLUG IN	DWG. NO. 176B
DATE: 06/17/20	APP'D. BY:	DIMENSIONS: IN(X) MM()	