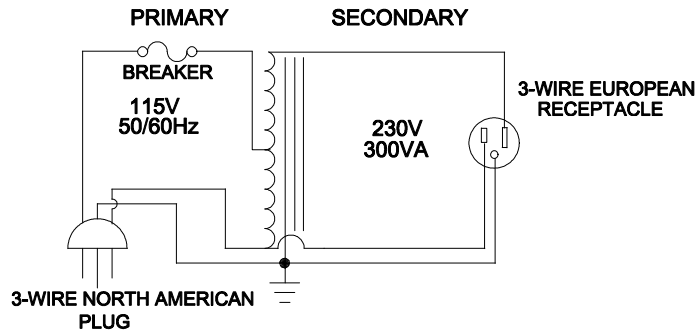
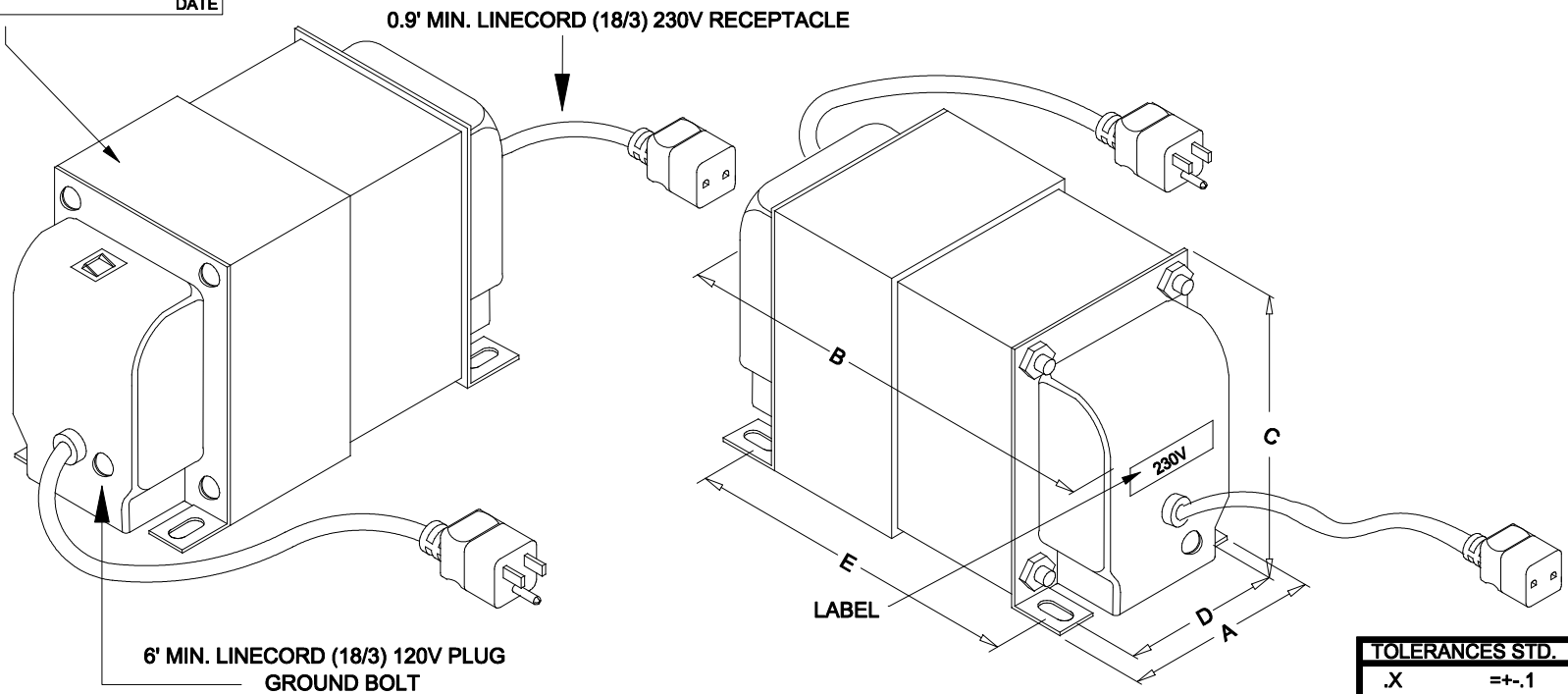


EDB176C

UL AUTO TRANSFORMER
cULus I/P 115V 50/60Hz 300VA
LISTED **176C**
(POWER SUPPLY) **89PN** O/P: 230V 1.3A
 MADE IN CANADA DATE



DIMENSIONS:	
A	3.16" ±0.063
B	5.00" MAX.
C	3.81" MAX.
D	2.50" ±0.063
E	3.56" ±0.063



TOLERANCES STD.	
.X	==±.1
.XX	==±.06
.XXX	==±.02
.XXXX	==±.005
ANGLES	==±0.5D

REV.NO.	REVISION	DATE	Hammond Electronics Waterloo, Ontario Canada	
0	RELEASED. C.I.	12/04/12	DWG. BY: CORINA ILIE	TITLE: AUTO-TRANSFORMER STEP UP - PLUG IN
			DATE: 12/04/12	
			CHK'D BY:	
			APP'D. BY:	
			EDB176C	
			SH 1 OF 1	