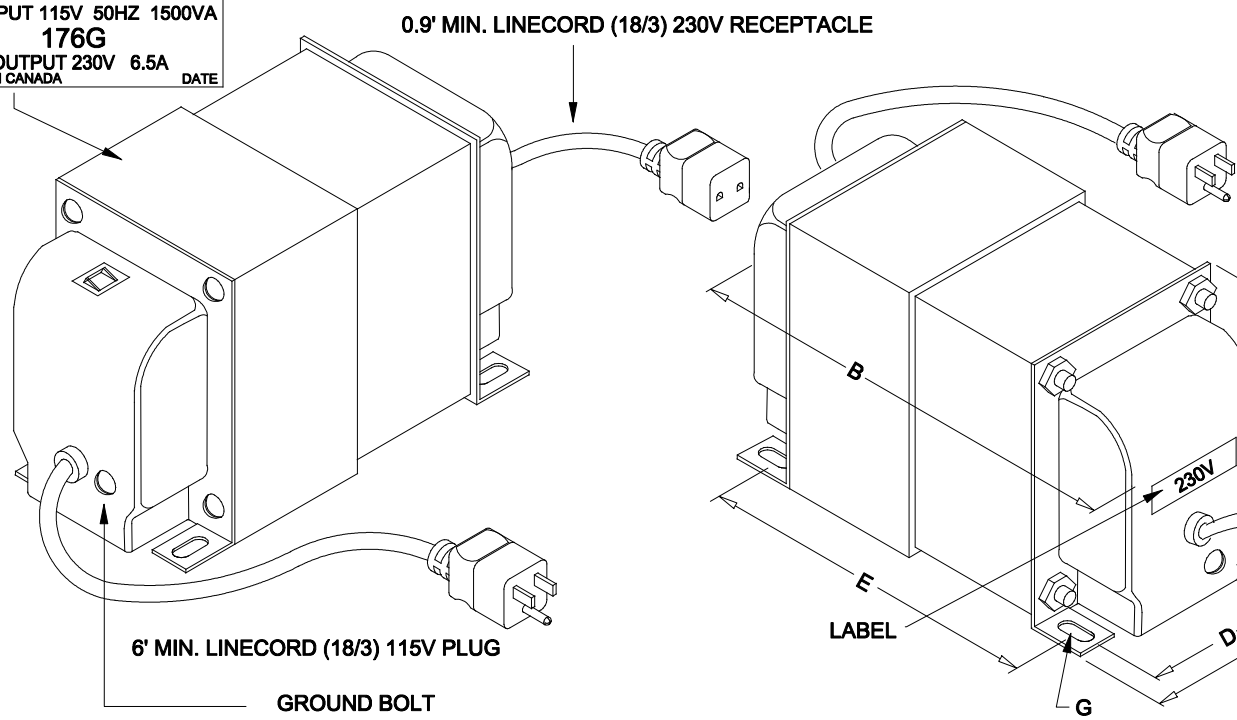
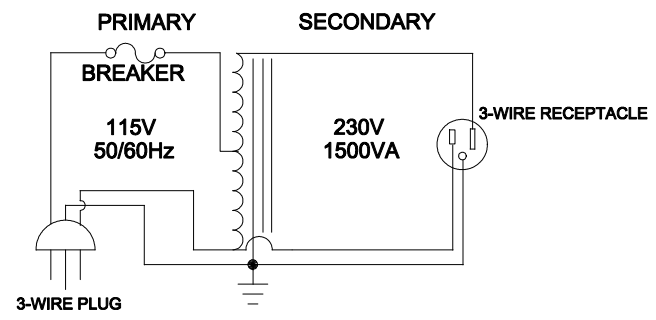

176G AUTO TRANSFORMER
 LISTED (POWER SUPPLY) 89PN
 INPUT 115V 50/60Hz 1500VA
 OUTPUT 230V 6.5A
 MADE IN CANADA DATE



| DIMENSIONS: | |
|-------------|------------------------|
| A | 4.487" ±0.063 |
| B | 7.688" ±0.125 |
| C | 5.362" ±0.063 |
| D | 3.500" ±0.063 |
| E | 6.094" ±0.063 |
| G | 0.203" x 0.625" ±0.015 |



| ELECTRICAL DATA: | | |
|------------------|----------------------------|---------------------|
| TESTS | CONDITIONS | ACCEPTANCE CRITERIA |
| Iex | @ 115V, 60Hz, TO CORD PLUG | 658mA MAX. |
| Sec. N.L.V | @ 115V, 60Hz, TO CORD PLUG | |
| | RECEPTACLE PLUG = | 233.1V ±2% |
| DCR | @ 20°C, TO CORD PLUG = | 0.500 Ω ±20% |
| | @ 20°C, RECEPTACLE PLUG = | 0.250 Ω ±20% |
| HIPOT | PRIMARY - SECONDARY | 2000V, 60Hz, 1 SEC |

| REV.NO. | REVISION | DATE | Hammond Electronics Waterloo, Ontario Canada | |
|---------|------------------------|---------------|--|--|
| 0 | RELEASED. | C.I. 04/24/03 | DWG. BY: C. ILIE | TITLE: AUTOTRANSFORMER STEP UP PLUG IN |
| 1 | ADDED TEST INFORMATION | C.I. 04/22/14 | DATE: 04/24/03 | |
| | | | CHK'D BY: | EDB176G SH 1 OF 1 |
| | | | APP'D. BY: | |