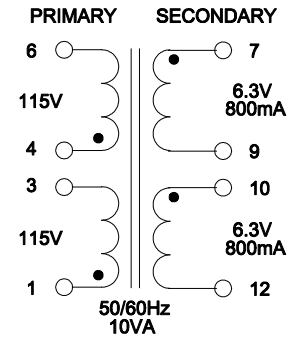
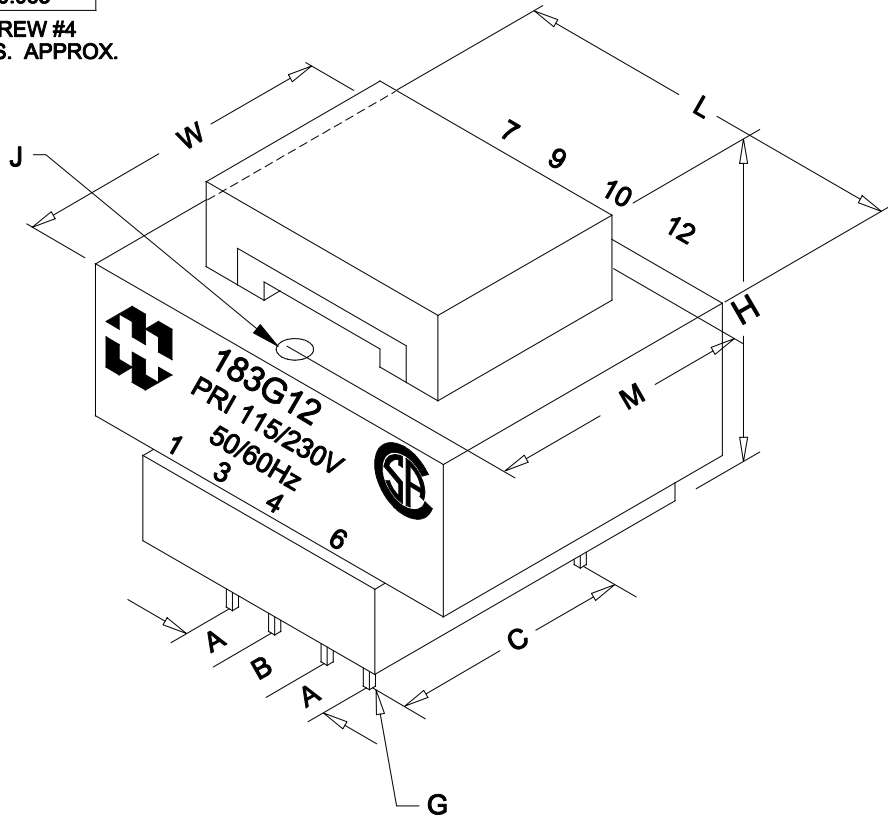


DIMENSIONS:	
A	0.200" ±0.030
B	0.400" ±0.030
C	1.140" ±0.063
L	1.875" ±0.063
W	1.563" ±0.063
H	1.375" ±0.063
G	0.036" SQ. ±0.005
J	0.150" ±0.005
M	1.250" ±0.063

MOUNTING SCREW #4  
WEIGHT: 0.53LBS. APPROX.



ELECTRICAL DATA:		
TESTS	CONDITIONS	ACCEPTANCE CRITERIA
lex	@ 115V, 60Hz, PIN 1 - PIN 3	56.4mA Max.
Sec. N.L.V	@ 115V, 60Hz, PIN 1 - PIN 3	
	PIN 4 - PIN 6 =	115.0V ±2%
	PIN 7 - PIN 9 =	7.967V ±2%
	PIN 10 - PIN 12 =	7.967V ±2%
DCR	@ 20°C, PIN 1 - PIN 3 =	168.5 Ω ±20%
	@ 20°C, PIN 4 - PIN 6 =	202.5 Ω ±20%
	@ 20°C, PIN 7 - PIN 9 =	0.880 Ω ±20%
	@ 20°C, PIN 10 - PIN 12 =	0.720 Ω ±20%
HIPOT	PRIMARY - SECONDARY	4000V, 60Hz, 1 SEC

REV.#	REVISION	DATE
0	RELEASED.	C.I. 10/23/18

<b>HAMMOND MANUFACTURING™</b>	<b>ELECTRONIC DIVISION</b> 52 RANKIN PLACE, WATERLOO, ONTARIO, N2J 3Z5		PH # (519) 886-6181 FAX # (519) 886-9540
	DWG. BY: C. ILIE DATE: 10/23/18	CHK'D BY: APP'D. BY: DIMENSIONS: IN(X) MM( )	TITLE: CHASSIS MOUNT POWER TRANSFORMER