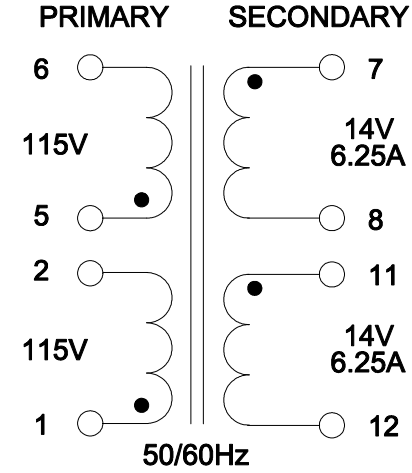
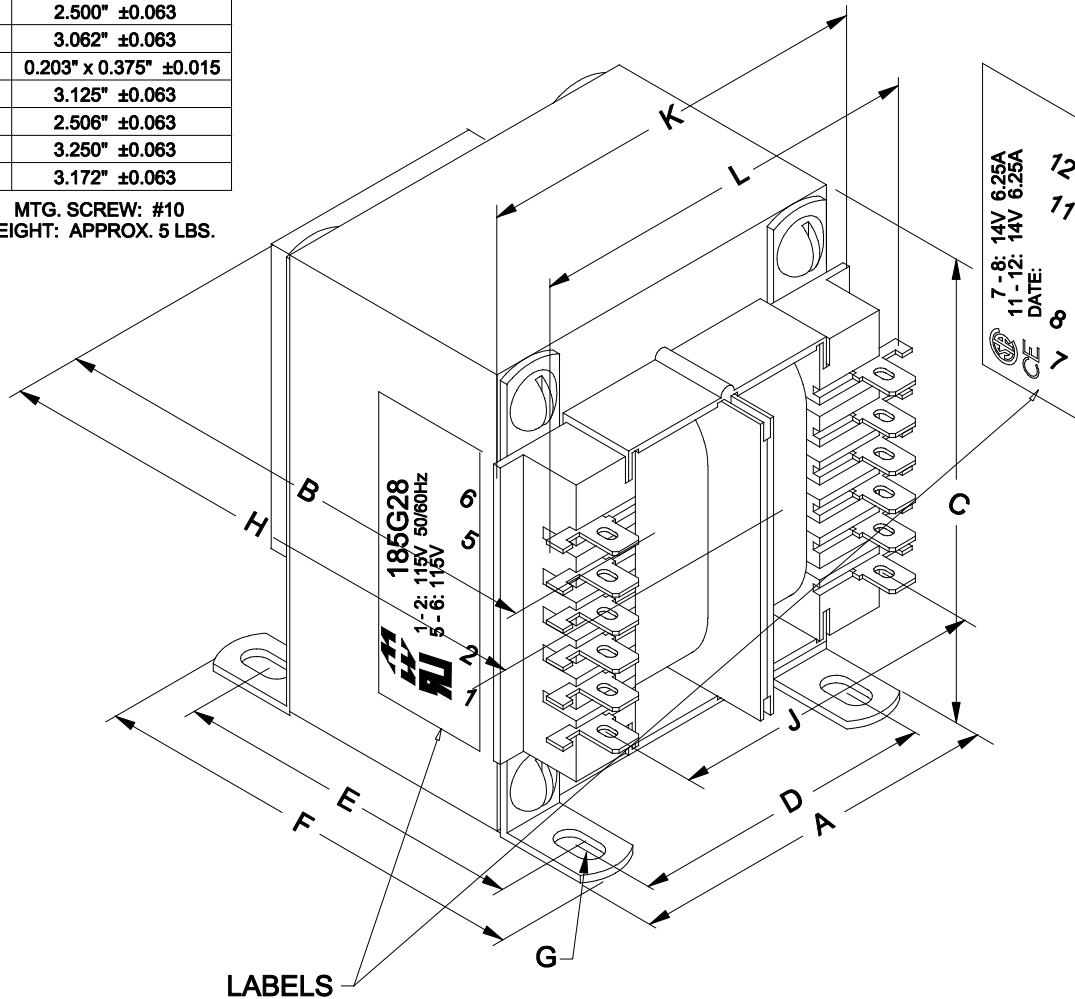


DIMENSIONS:	
A	3.125" ±0.063
B	3.195" ±0.063
C	3.750" ±0.063
D	2.500" ±0.063
E	2.500" ±0.063
F	3.062" ±0.063
G	0.203" x 0.375" ±0.015
H	3.125" ±0.063
J	2.506" ±0.063
K	3.250" ±0.063
L	3.172" ±0.063

MTG. SCREW: #10  
WEIGHT: APPROX. 5 LBS.



FOR 230V:  
CONNECT PIN 2 & PIN 5  
FOR 115V:  
CONNECT PIN 1 & PIN 5  
PIN 2 & PIN 6

FOR SERIES 28VCT @ 6.25A  
CONNECT PIN 8 & PIN 11  
FOR PARALLEL 14V @ 12.5A  
CONNECT PIN 7 & PIN 11,  
PIN 8 & PIN 12

ELECTRICAL DATA:		
TESTS	CONDITIONS	ACCEPTANCE CRITERIA
lex	@ 115V, 60Hz, PIN 1 - PIN 2	175mA Max.
Sec. N.L.V	@ 115V, 60Hz, PIN 1 - PIN 2	
	PIN 5 - PIN 6 =	115.0V ±2%
	PIN 7 - PIN 8 =	15.20V ±2%
	PIN 11 - PIN 12 =	15.20V ±2%
DCR	@ 20°C, PIN 1 - PIN 2 =	3.466 Ω ±20%
	@ 20°C, PIN 5 - PIN 6 =	3.466 Ω ±20%
	@ 20°C, PIN 7 - PIN 8 =	0.053 Ω ±20%
	@ 20°C, PIN 11 - PIN 12 =	0.067 Ω ±20%
HIPOT	PRIMARY - SECONDARY	4000V, 60Hz, 1 SEC

REV.#	REVISION	DATE	HAMMOND ELECTRONIC DIVISION	
0	RELEASED. C.I.	02/22/19	52 RANKIN PLACE, WATERLOO, ONTARIO, N2J 3Z5	
			DWG. BY: C. ILIE	PH # (519) 886-6181
			DATE: 02/22/19	FAX # (519) 886-9540
			CHK'D BY:	TITLE: CHASSIS MOUNT POWER TRANSFORMER
			APP'D. BY:	DWG. NO. 185G28
			DIMENSIONS: IN(X) MM( )	