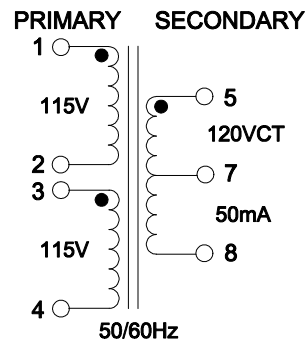
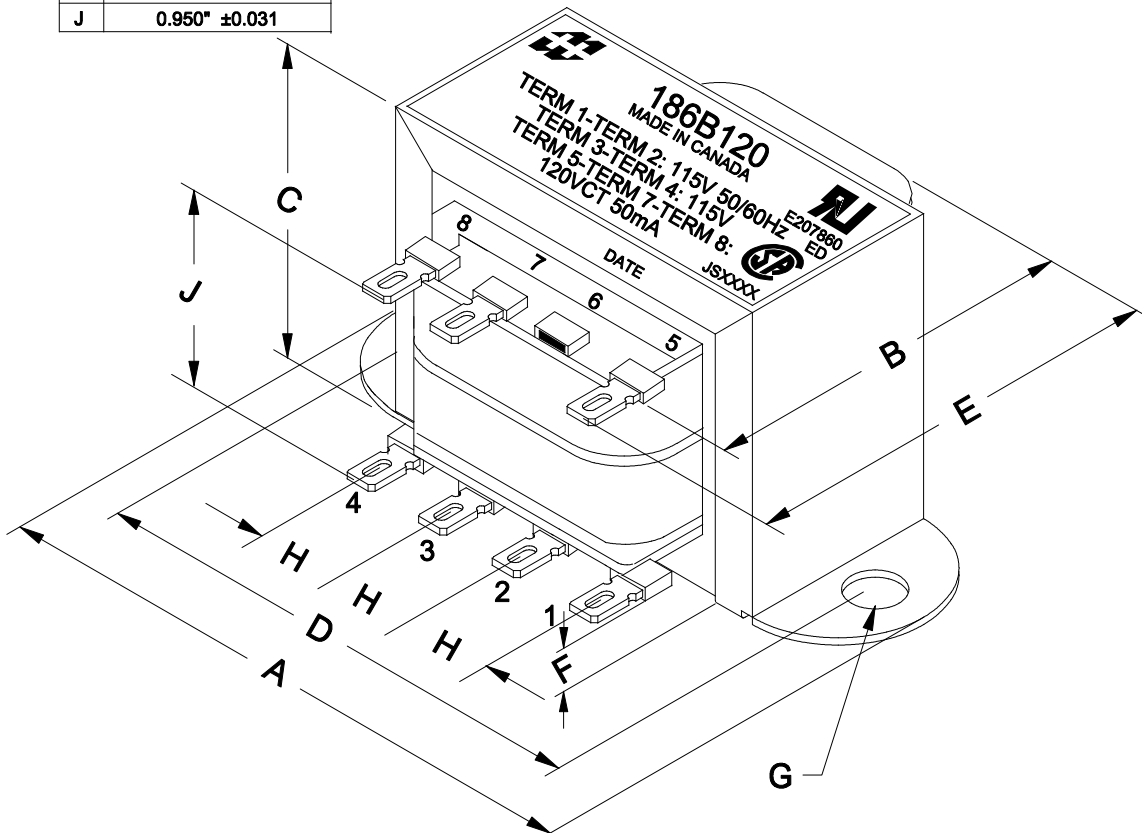


DIMENSIONS:	
A	2.375" ±0.063
B	1.300" ±0.125
C	1.433" ±0.063
D	2.000" ±0.063
E	1.659" ±0.063
F	0.200" ±0.015
G	0.187" ±0.015
H	0.406" ±0.031
J	0.950" ±0.031



ELECTRICAL DATA:			
TESTS	CONDITIONS	ACCEPTANCE CRITERIA	
I <sub>ex</sub>	@ 115V, 60Hz, TERM 1 - TERM 2	26.4mA	Max.
Sec. N.L.V	@ 115V, 60Hz, TERM 1 - TERM 2		
	TERM 3 - TERM 4 =	115.0V	±2%
	TERM 5 - TERM 8 =	146.1V	±2%
	TERM 5 - TERM 7 = TERM 7 - TERM 8 =	73.03V	±2%
DCR	@ 20°C, TERM 1 - TERM 2 =	265.9 Ω	±20%
	@ 20°C, TERM 3 - TERM 4 =	322.3 Ω	±20%
	@ 20°C, TERM 5 - TERM 8 =	234.5 Ω	±20%
HIPOT	PRIMARY - SECONDARY	2500V, 60Hz, 1 SEC	

REV.#	REVISION	DATE
0	RELEASED.	C.I. 10/06/15
1	ADDED MORE DIMENSIONS.	C.I. 02/01/19
2	CORRECTED PINOUTS ON SCHEMATIC.	C.I. 12/06/19

<b>HAMMOND MANUFACTURING™</b>	<b>ELECTRONIC DIVISION</b> 52 RANKIN PLACE, WATERLOO, ONTARIO, N2J 3Z5		PH # (519) 886-6181 FAX # (519) 886-9540
	DWG. BY: C. ILIE DATE: 10/06/15	CHK'D BY: APP'D. BY: DIMENSIONS: IN(X) MM( )	TITLE: <b>POWER TRANSFORMER</b>