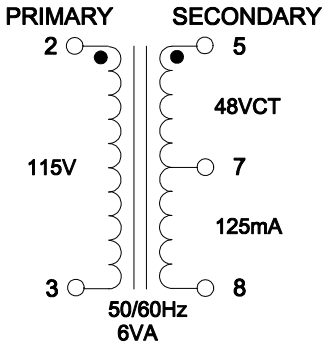
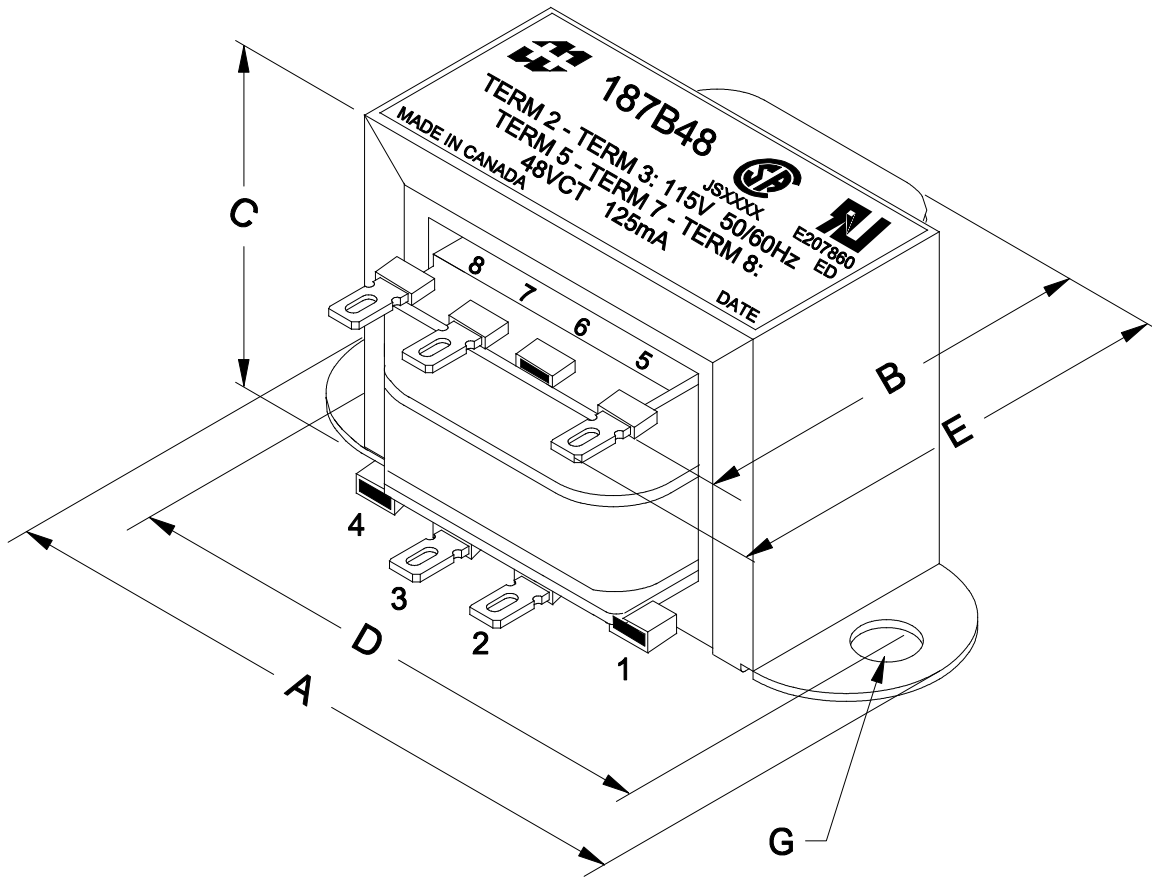


DIMENSIONS:	
A	2.375" ±0.063
B	1.300" ±0.125
C	1.433" ±0.063
D	2.000" ±0.063
E	1.659" ±0.063
G	0.187" ±0.015



ELECTRICAL DATA:		
TESTS	CONDITIONS	ACCEPTANCE CRITERIA
Iex	@ 115V, 60Hz, TERM 2 - TERM 3	37.2mA Max.
Sec. N.L.V	@ 115V, 60Hz, TERM 2 - TERM 3	
	TERM 5 - TERM 8 =	58.67V ±2%
	TERM 5 - TERM 7 = TERM 7 - TERM 8 =	29.34V ±2%
DCR	@ 20°C, TERM 2 - TERM 3 =	158.6 Ω ±20%
	@ 20°C, TERM 5 - TERM 8 =	40.46 Ω ±20%
HIPOT	PRIMARY - SECONDARY	2500V, 60Hz, 1 SEC

REV.#	REVISION	DATE	HAMMOND MANUFACTURING™		ELECTRONIC DIVISION	
0	RELEASED.	C.I. 10/15/19	52 RANKIN PLACE, WATERLOO, ONTARIO, N2J 3Z5		PH # (519) 886-6181 FAX # (519) 886-9540	
			DWG. BY: C. ILIE	CHK'D BY:	TITLE: POWER TRANSFORMER	DWG. NO. 187B48
			DATE: 10/15/19	APP'D. BY:		
				DIMENSIONS: IN(X) MM()		