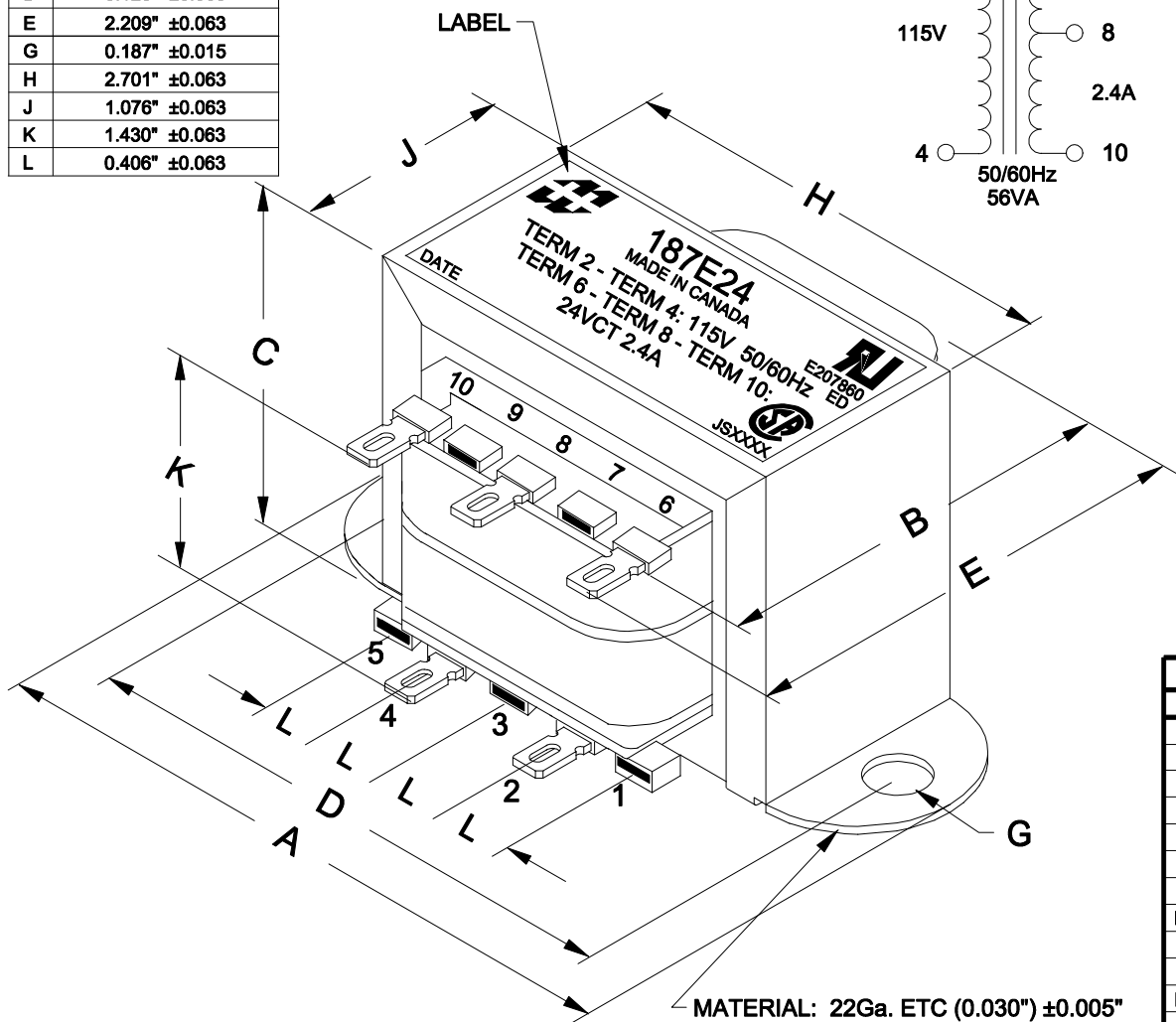
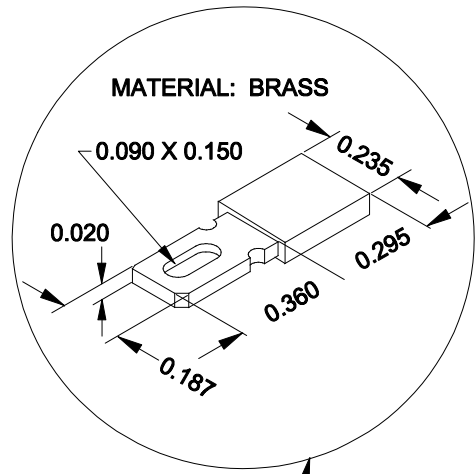
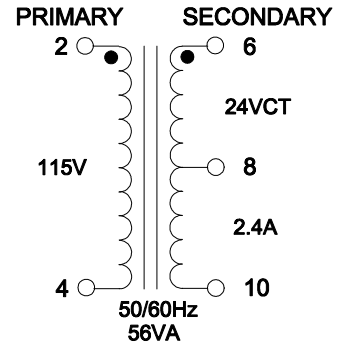


DIMENSIONS:	
A	3.688" ±0.063
B	1.850" ±0.125
C	2.308" ±0.063
D	3.125" ±0.063
E	2.209" ±0.063
G	0.187" ±0.015
H	2.701" ±0.063
J	1.076" ±0.063
K	1.430" ±0.063
L	0.406" ±0.063



DETAILED PIN DIMENSIONS

MATERIAL: 22Ga. ETC (0.030") ±0.005"

ELECTRICAL DATA:		
TESTS	CONDITIONS	ACCEPTANCE CRITERIA
Iex	@ 115V, 60Hz, TERM 2 - TERM 4	81.6mA Max.
Sec. N.L.V	@ 115V, 60Hz, TERM 2 - TERM 4	
	TERM 6 - TERM 10 =	26.99V ±2%
	TERM 6 - TERM 8 = TERM 8 - TERM 10 =	13.49V ±2%
DCR	@ 20°C, TERM 2 - TERM 4 =	10.22 Ω ±20%
	@ 20°C, TERM 6 - TERM 10 =	0.595 Ω ±20%
HIPOT	PRIMARY - SECONDARY	2000V, 60Hz, 1 SEC

REV.#	REVISION	DATE
0	RELEASED.	C.I. 09/25/23

**HAMMOND MANUFACTURING** ELECTRONIC DIVISION  
 52 RANKIN PLACE, WATERLOO, ONTARIO, N2J 3Z5  
 PH # (519) 886-6181 FAX # (519) 886-9540

DWG. BY: C. ILIE	CHK'D BY:	TITLE: POWER TRANSFORMER	DWG. NO. 187E24
DATE: 09/25/23	APP'D. BY:	DIMENSIONS: IN(X) MM( )	