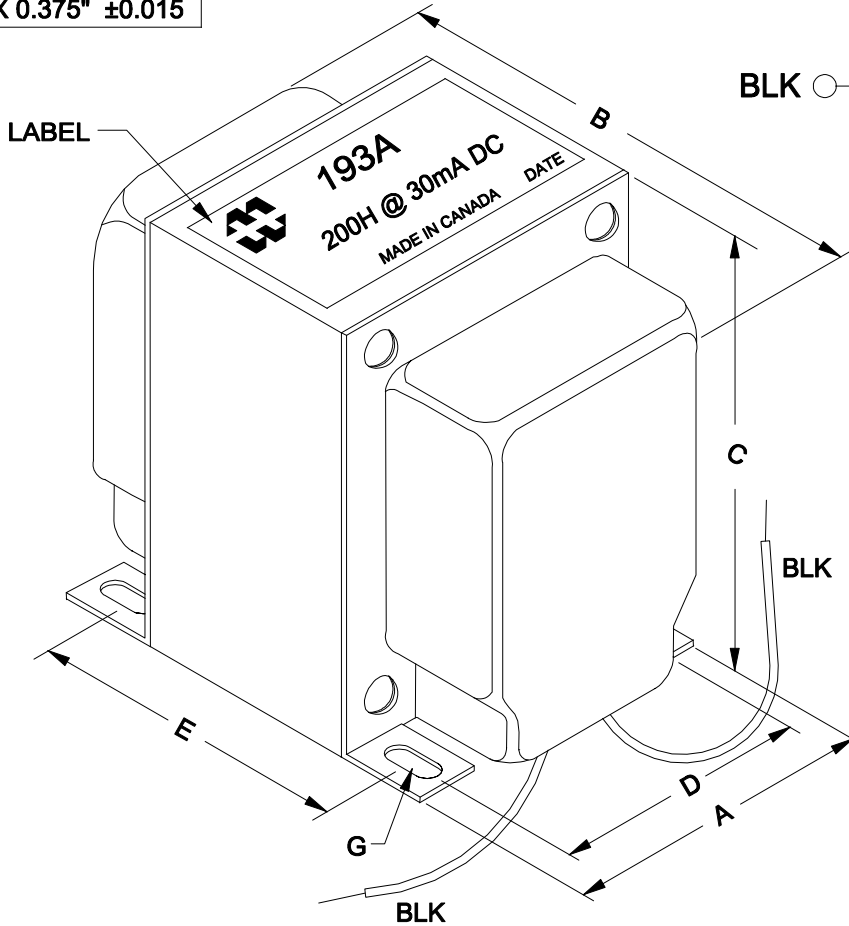
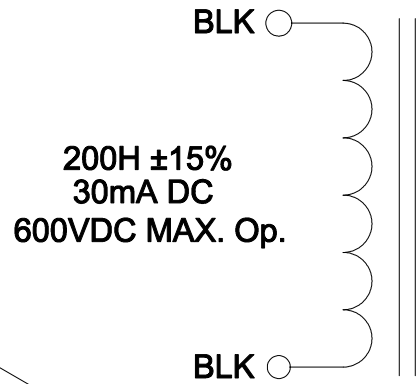


DIMENSIONS:	
A	2.500" ±0.063
B	2.935" ±0.125
C	3.062" ±0.063
D	2.000" ±0.063
E	1.938" ±0.063
G	0.203" X 0.375" ±0.015



NOTE: ALL LEADS 8" OUT MIN., STRIPPED .5"

ELECTRICAL DATA:		
TESTS	CONDITIONS	ACCEPTANCE CRITERIA
INDUCTANCE	@ 120V, 60Hz, 30mA DC, BLK - BLK	200H ±15%
DCR	@ 20°C, BLK - BLK =	2.0kΩ ±15%
HIPOT	PRIMARY - SECONDARY	2000V, 60Hz, 1 SEC



ELECTRONIC DIVISION
 52 RANKIN PLACE,
 WATERLOO, ONTARIO, N2J 3Z5
 PH # (519) 886-6181
 FAX # (519) 886-9540

TITLE
 INDUCTOR

NO	DATE	REVISION	DWG. BY
0	04/05/17	RELEASED.	C.I. C. ILIE
1	12/21/21	30mA DC WAS 40mA DC	C.I.
			DATE
			04/05/17
			DIM IN(X)MM()

193A