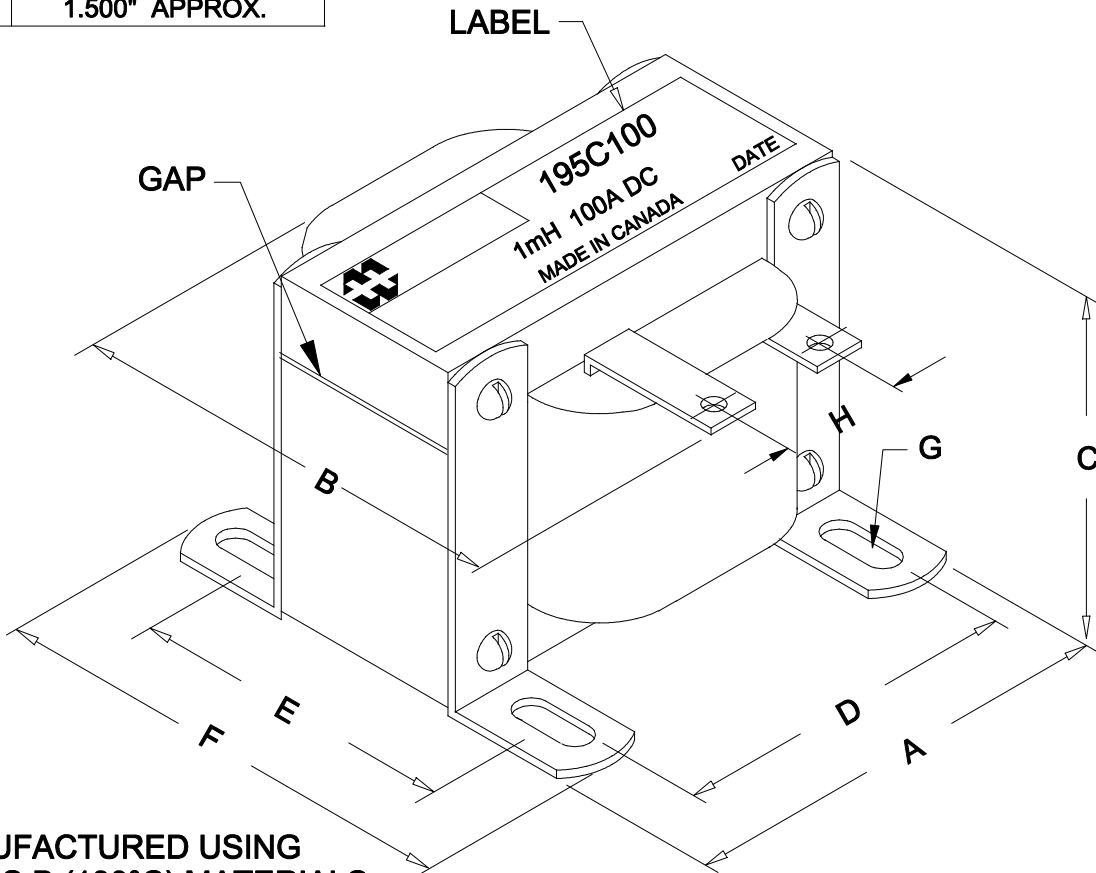
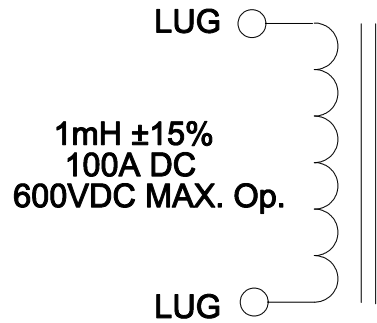


DIMENSIONS:	
A	5.250" ±0.063
B	6.675" ±0.125
C	4.470" ±0.063
D	4.375" ±0.063
E	5.125" ±0.063
F	6.250" ±0.063
G	0.281" X 0.563" ±0.015
H	1.500" APPROX.



MANUFACTURED USING
CLASS B (130°C) MATERIALS.
RoHS COMPLIANT
OPERATING TEMP.:
-40°C TO 105°C
STORAGE TEMP.:
-40°C TO 85°C

ELECTRICAL DATA:		
TESTS	CONDITIONS	ACCEPTANCE CRITERIA
INDUCTANCE	@ 3V, 60Hz, 100A DC, LUG - LUG	1mH ±15%
DCR	@ 20°C, LUG - LUG =	0.0036Ω ±15%
HIPOT	PRIMARY - CORE	2500V, 60Hz, 1 SEC

HAMMOND
MANUFACTURING™

ELECTRONIC DIVISION
52 RANKIN PLACE,
WATERLOO, ONTARIO, N2J 3Z5
PH # (519) 886-6181
FAX # (519) 886-9540

TITLE

CHOKE

NO	DATE	REVISION	DWG. BY
0	09/07/16	RELEASED.	C. ILIE
1	09/08/16	REVISED "B" & "C" DIM.	C.I.
			DATE
			09/07/16
			DIM IN()MM()

195C100