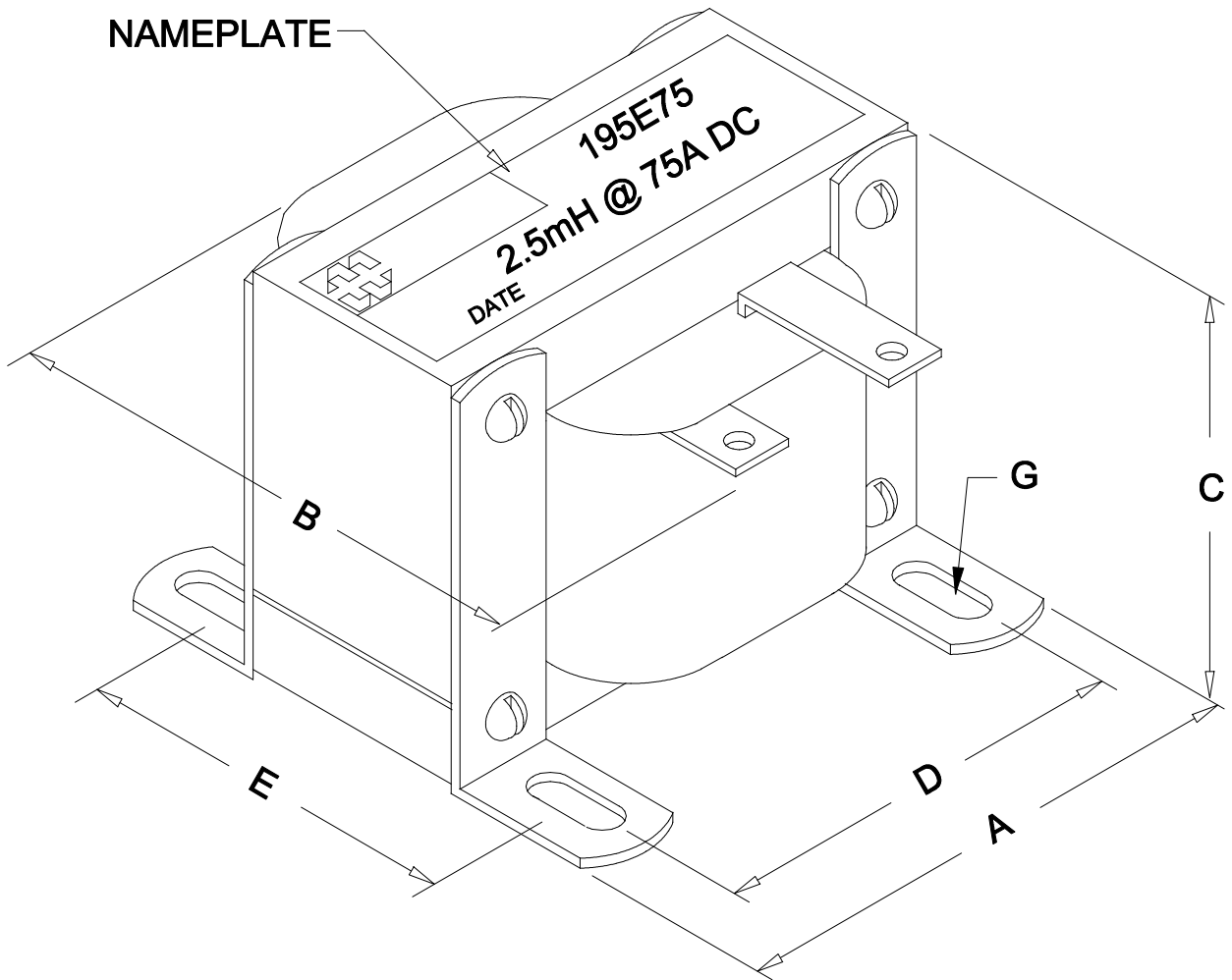
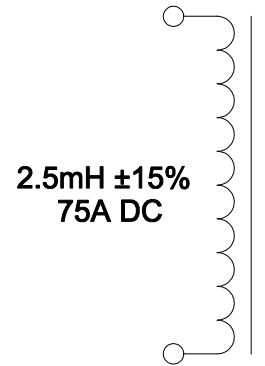


DIMENSIONS:	
A	6.000" ±0.063
B	7.000" MAX.
C	5.188" ±0.063
D	5.000" ±0.063
E	5.000" ±0.063
G	0.281" x 0.563" ±0.015



**ELECTRONIC DIVISION**  
52 RANKIN PLACE,  
WATERLOO, ONTARIO, N2J 3Z5  
PH # (519) 886-6181  
FAX # (519) 886-9540

TITLE

195E75

NO	DATE	REVISION	DWG. BY
0	07/29/10	PRELIMINARY. C.I.	CORINA ILIE
			DATE
			07/29/10
			DIM IN( )MM( )

EDB195E75