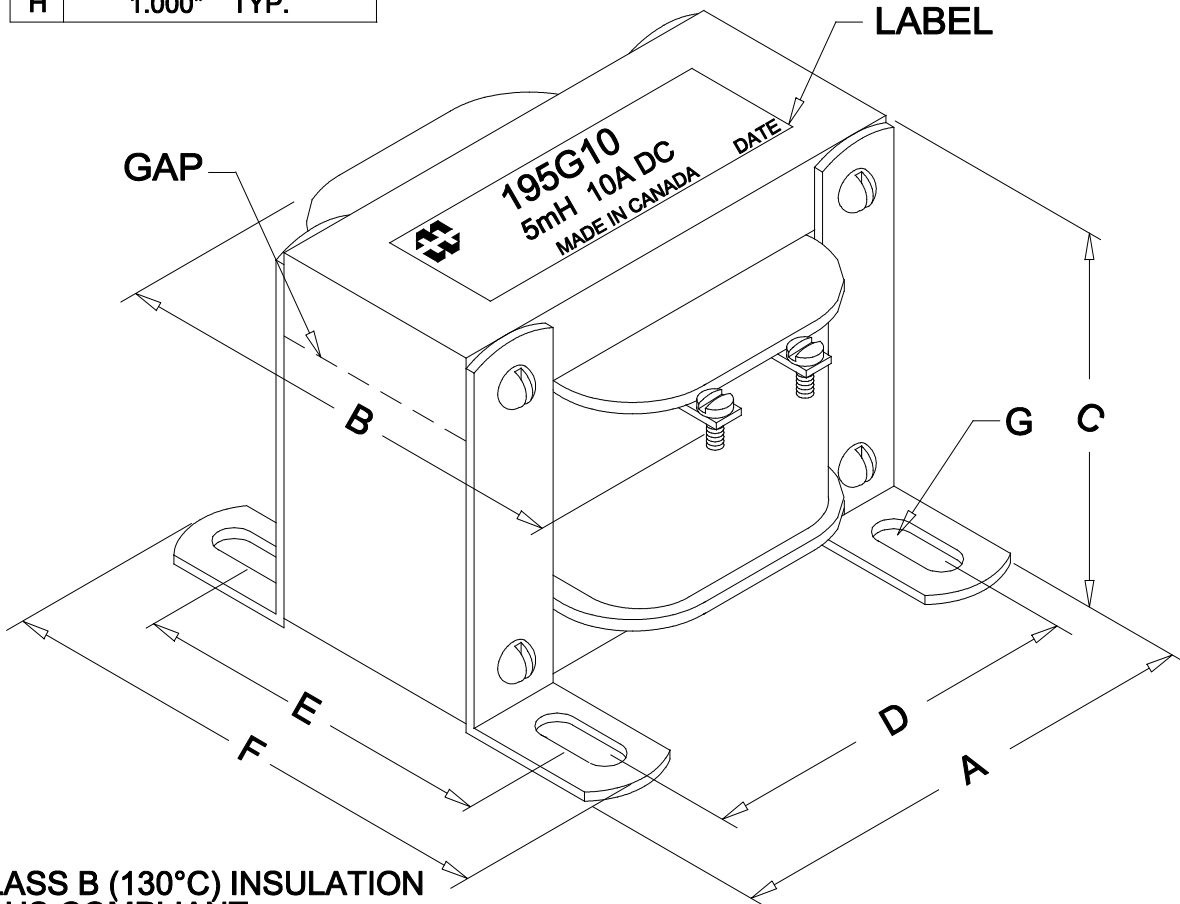
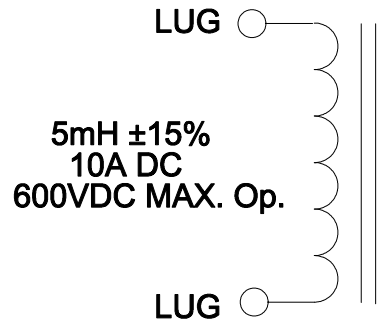


DIMENSIONS:	
A	3.750" ±0.063
B	3.600" ±0.125
C	3.125" ±0.063
D	3.125" ±0.063
E	2.250" ±0.063
F	2.813" ±0.063
G	0.203" X 0.375" 0.015
H	1.000" TYP.



CLASS B (130°C) INSULATION  
RoHS COMPLIANT

**ELECTRICAL DATA:**

TESTS	CONDITIONS	ACCEPTANCE CRITERIA
INDUCTANCE	@ 5V, 60Hz, 10A DC, LUG - LUG	5mH ±15%
DCR	@ 20°C, LUG - LUG =	0.040 Ω ±15%
HIPOT	PRIMARY - CORE	2500V, 60Hz, 1 SEC



**ELECTRONIC DIVISION**  
52 RANKIN PLACE,  
WATERLOO, ONTARIO, N2J 3Z5  
PH # (519) 886-6181  
FAX # (519) 886-9540

TITLE				195G10
CHOKE				
NO	DATE	REVISION	DWG. BY	
0	06/25/15	RELEASED.	C.I. CORINA ILIE	
			DATE 06/25/15	
			DIM IN( )MM( )	