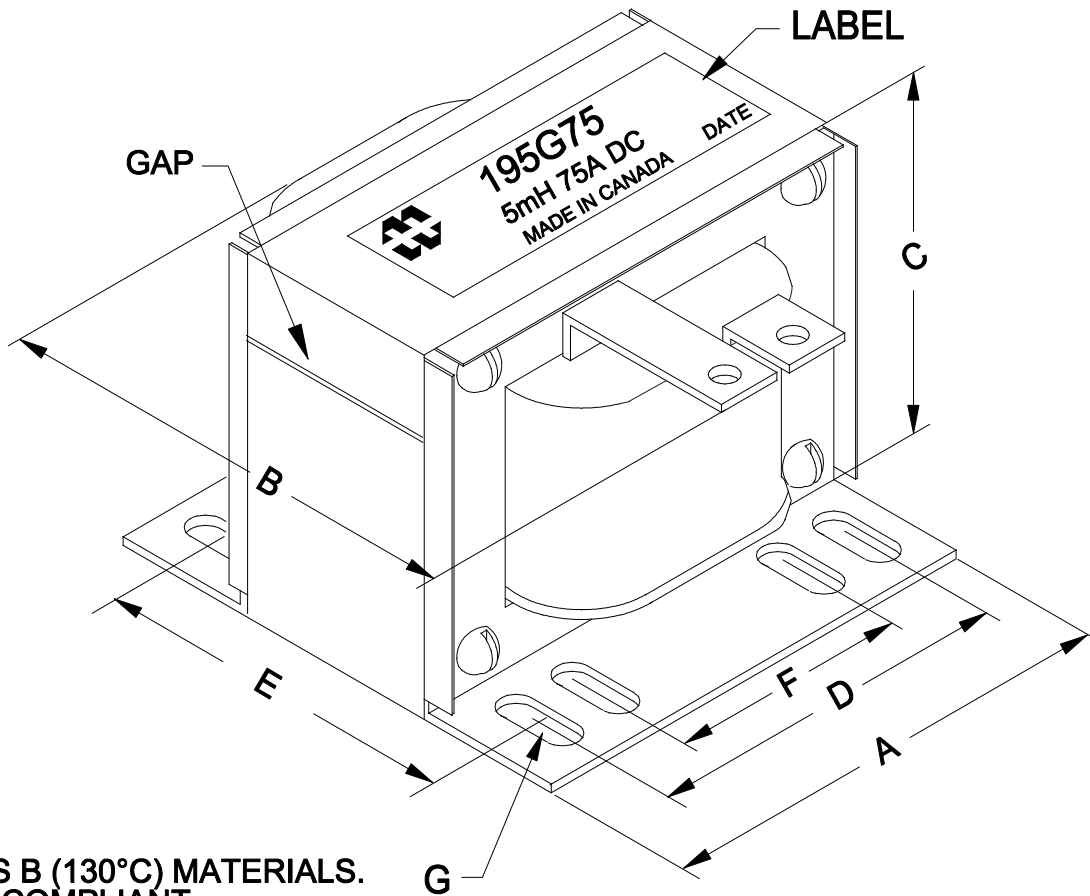
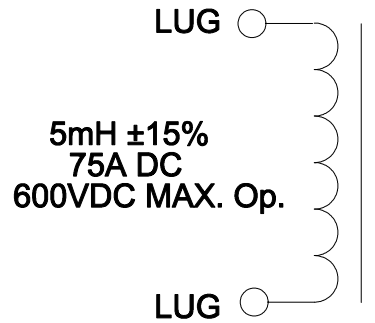


DIMENSIONS:	
A	9.000" ±0.063
B	9.750" MAX.
C	7.800" MAX.
D	7.000" ±0.063
E	6.000" ±0.063
F	5.500" ±0.063
G	0.375" X 1.000" ±0.015



CLASS B (130°C) MATERIALS.
RoHS COMPLIANT
OPERATING TEMP.:
-40°C TO 85°C
STORAGE TEMP.:
-40°C TO 105°C

ELECTRICAL DATA:

TESTS	CONDITIONS	ACCEPTANCE CRITERIA	
INDUCTANCE	@ 5V, 60Hz, 75A DC, LUG - LUG	5mH	±15%
DCR	@ 20°C, LUG - LUG =	0.011 Ω	±15%
HIPOT	PRIMARY - CORE	2500V, 60Hz, 1 SEC	



ELECTRONIC DIVISION
52 RANKIN PLACE,
WATERLOO, ONTARIO, N2J 3Z5
PH # (519) 886-6181
FAX # (519) 886-9540

TITLE

CHOKE

NO	DATE	REVISION	DWG. BY
0	04/15/16	RELEASED.	C.I. CORINA ILIE
			DATE 04/15/16
			DIM IN()MM()

195G75