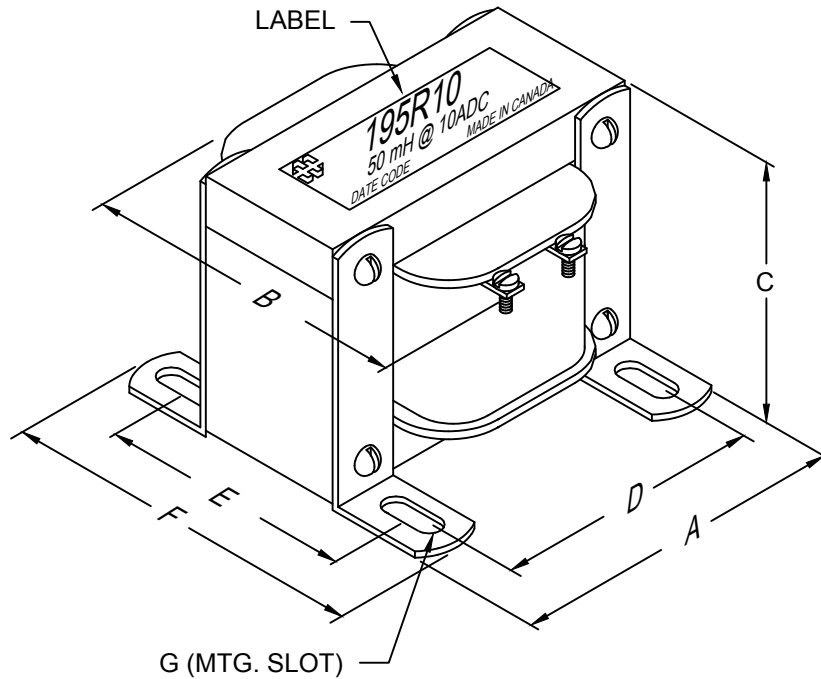
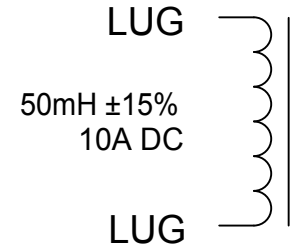


DIMENSIONS:

A	5.25" ±0.063
B	5.90" MAX.
C	4.47" ±0.063
D	4.375" ±0.063
E	4.125" ±0.063
F	5.25" ±0.063
G	0.281" X 0.563" ±0.015

SCHEMATIC



HAMMOND MANUFACTURING.

195R10
50 mH @ 10ADC

DATE CODE

UL LISTED
TYPE 3AH
30V7 ED

MADE IN CANADA

ELECTRICAL DATA:

TESTS	CONDITIONS	ACCEPTANCE CRITERIA
I _{ex}	@ 5.0V, 60Hz,	195mA - 265mA
Inductance	@ 10ADC =	50mH ± 15%
DCR	@ 20°C, LUG - LUG =	0.163 Ω ±20%
	OPERATING VOLTAGE	750 VAC max.
	OPERATING VOLTAGE	600 VDC max.
	OPERATING TEMPERATURE	CLASS B 130°C
HIPOT	PRIMARY - CORE	2500V, 60Hz, 1 SEC
WEIGHT		26 LBS.

PROPERTY AND COPYRIGHT NOTICE

THIS DRAWING AND THE INFORMATION IT CONVEYS ARE THE PROPERTY OF HAMMOND MANUFACTURING. IT MAY NOT BE REPRODUCED, TRANSMITTED OR USED IN ANY MANNER WHATSOEVER WITHOUT THE WRITTEN PERMISSION OF HAMMOND MANUFACTURING.

REV.#	REVISION	DATE		ELECTRONIC DIVISION	52 RANKIN PLACE,	WATERLOO, ONTARIO, N2J 3Z5	PH # (519) 886-6181	FAX # (519) 886-9540
0	RELEASED.	02/20/17						
			DWG. BY: C. BACK	CHK'D BY:	TITLE: HIGH CURRENT INDUCTOR		DWG. NO. 195R10	
			DATE: 02/20/17	APP'D. BY:				
				DIMENSIONS: IN(X) MM()				