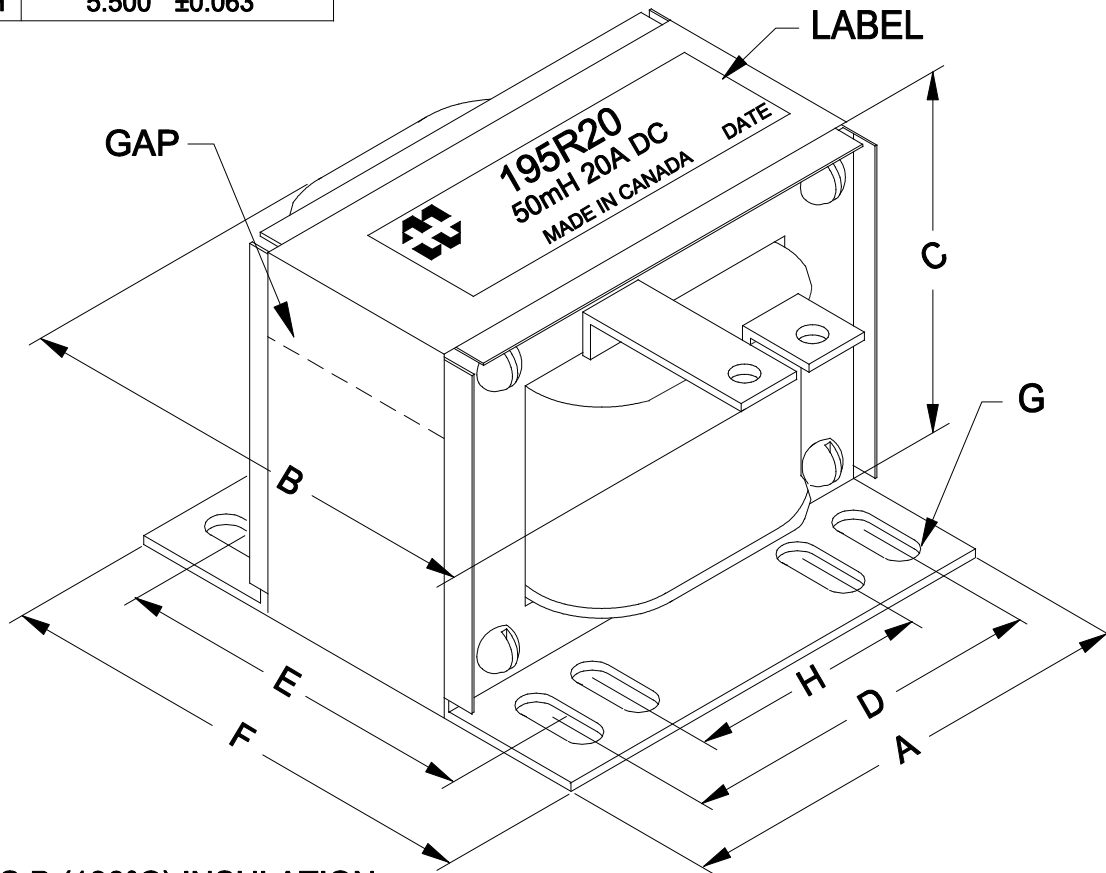
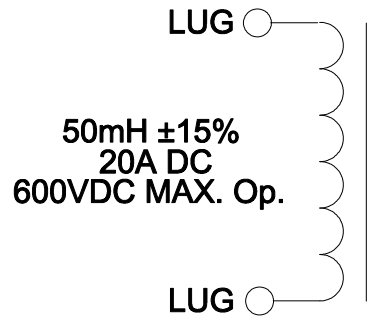


DIMENSIONS:	
A	9.000" ±0.063
B	8.250" ±0.125
C	7.800" ±0.063
D	7.000" ±0.063
E	5.750" ±0.063
F	7.300" ±0.063
G	0.375" x 1.000" ±0.015
H	5.500" ±0.063



CLASS B (130°C) INSULATION  
RoHS COMPLIANT

ELECTRICAL DATA:		
TESTS	CONDITIONS	ACCEPTANCE CRITERIA
INDUCTANCE	@ 5V, 60Hz, 20A DC, LUG - LUG	50mH ±15%
DCR	@ 20°C, LUG - LUG =	0.130 Ω ±15%
HIPOT	PRIMARY - SECONDARY	2500V, 60Hz, 1 SEC

**HAMMOND**  
**MANUFACTURING**™

**ELECTRONIC DIVISION**  
52 RANKIN PLACE,  
WATERLOO, ONTARIO, N2J 3Z5  
PH # (519) 886-6181  
FAX # (519) 886-9540

TITLE

CHOKE

NO	DATE	REVISION	DWG. BY
0	02/05/15	RELEASED.	C.I. CORINA ILIE
			DATE 02/05/15
			DIM IN( )MM( )

195R20