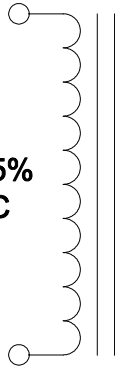


EDB195S2

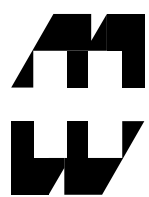
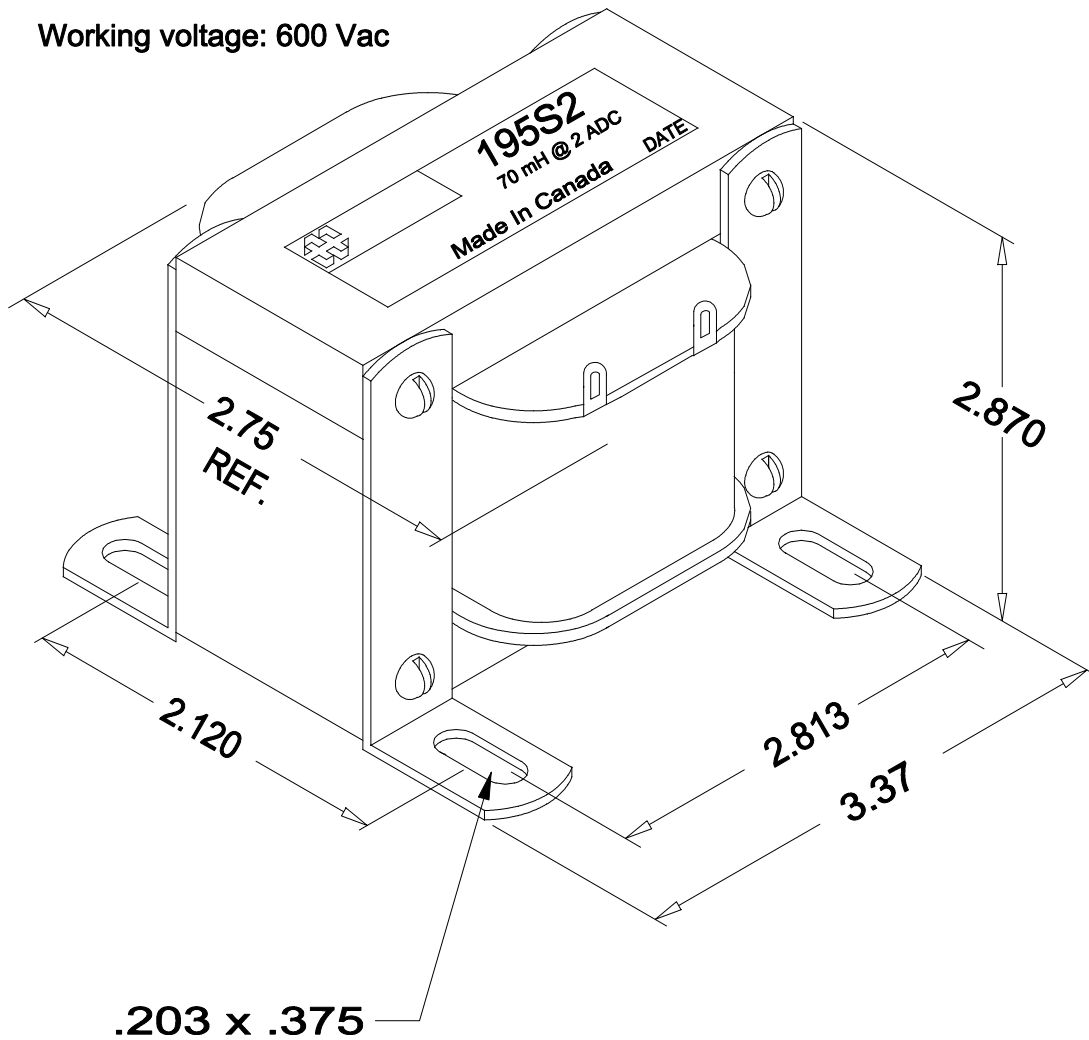
70mH ±15%
@ 2A DC



Resistance : 0.90 ohms

Dielectric Strength: Wdg to Core - 2000 Vac

Working voltage: 600 Vac



**HAMMOND
MANUFACTURING™**

WATERLOO TRANSFORMER
GROUP

52 RANKIN PLACE,
WATERLOO, ONTARIO, N2L 3Z5.

PHONE (519) 886-6181
FAX # (519) 886-9540

TITLE

195S2 INDUCTOR

DR BY
D.Hutt

DATE
14/11/12

NO DATE

REVISION

DIM IN(X)MM()

EDB195S2