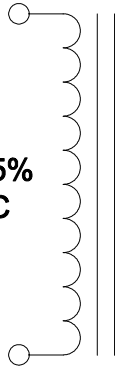


EDB195S4

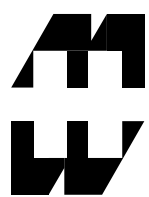
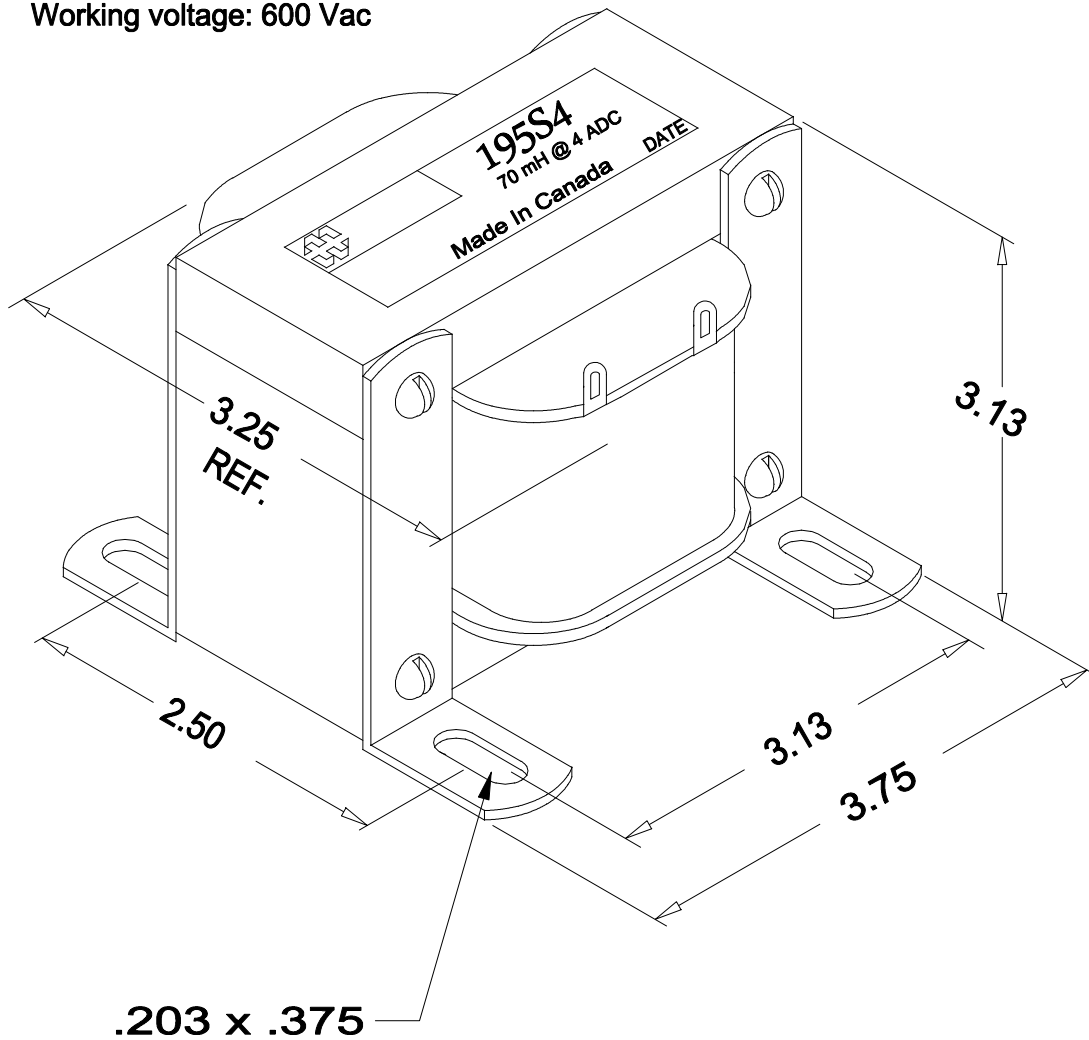
70mH ±15%  
@ 4A DC



Resistance: 0.600 ohms

Dielectric strength, Wdg to Core : 2000 Vac

Working voltage: 600 Vac



**HAMMOND  
MANUFACTURING**™

WATERLOO TRANSFORMER  
GROUP

52 RANKIN PLACE,  
WATERLOO, ONTARIO, N2L 3Z5.

PHONE (519) 886-6181  
FAX # (519) 886-9540

TITLE

195S4 INDUCTOR

			DR BY D.Hutt
			DATE 14/11/12
NO	DATE	REVISION	DIM IN(X)MM( )

EDB195S4