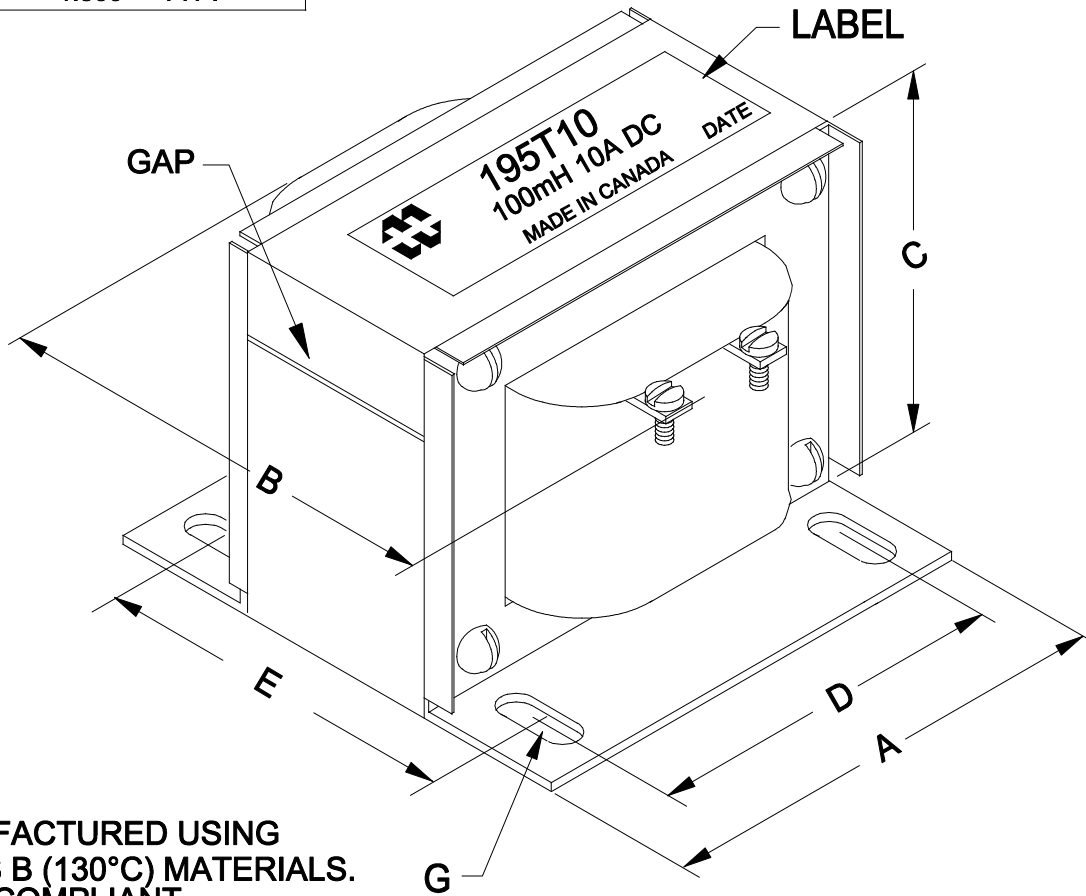
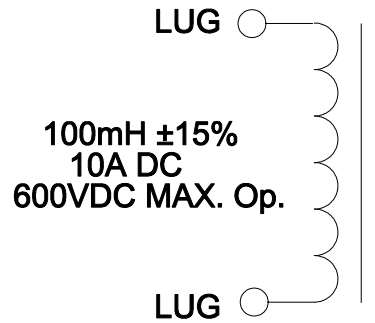


DIMENSIONS:	
A	7.500" ±0.063
B	6.300" ±0.125
C	6.500" ±0.063
D	6.000" ±0.063
E	4.250" ±0.063
F	6.938" ±0.063
G	0.375" X 1.000" ±0.015
H	1.500" TYP.



MANUFACTURED USING  
CLASS B (130°C) MATERIALS.  
RoHS COMPLIANT  
OPERATING TEMP.:  
-40°C TO 85°C  
STORAGE TEMP.:  
-40°C TO 105°C

#### ELECTRICAL DATA:

TESTS	CONDITIONS	ACCEPTANCE CRITERIA
INDUCTANCE	@ 5V, 60Hz, 10A DC, LUG - LUG	100mH ±15%
DCR	@ 20°C, LUG - LUG =	0.400 Ω ±15%
HIPOT	PRIMARY - CORE	2500V, 60Hz, 1 SEC

**HAMMOND**  
**MANUFACTURING**™

**ELECTRONIC DIVISION**  
52 RANKIN PLACE,  
WATERLOO, ONTARIO, N2J 3Z5  
PH # (519) 886-6181  
FAX # (519) 886-9540

TITLE

CHOKE

NO	DATE	REVISION	DWG. BY
0	06/18/15	RELEASED.	C.I. CORINA ILIE
			DATE 06/18/15
			DIM IN( )MM( )

195T10