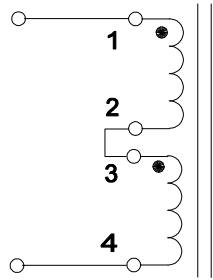


EDB196G12

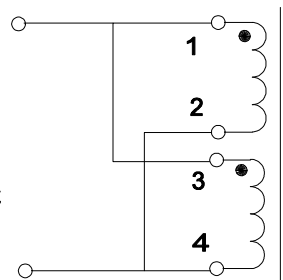
Series

4.8 mH
@12 ADC



Parallel

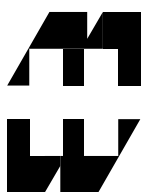
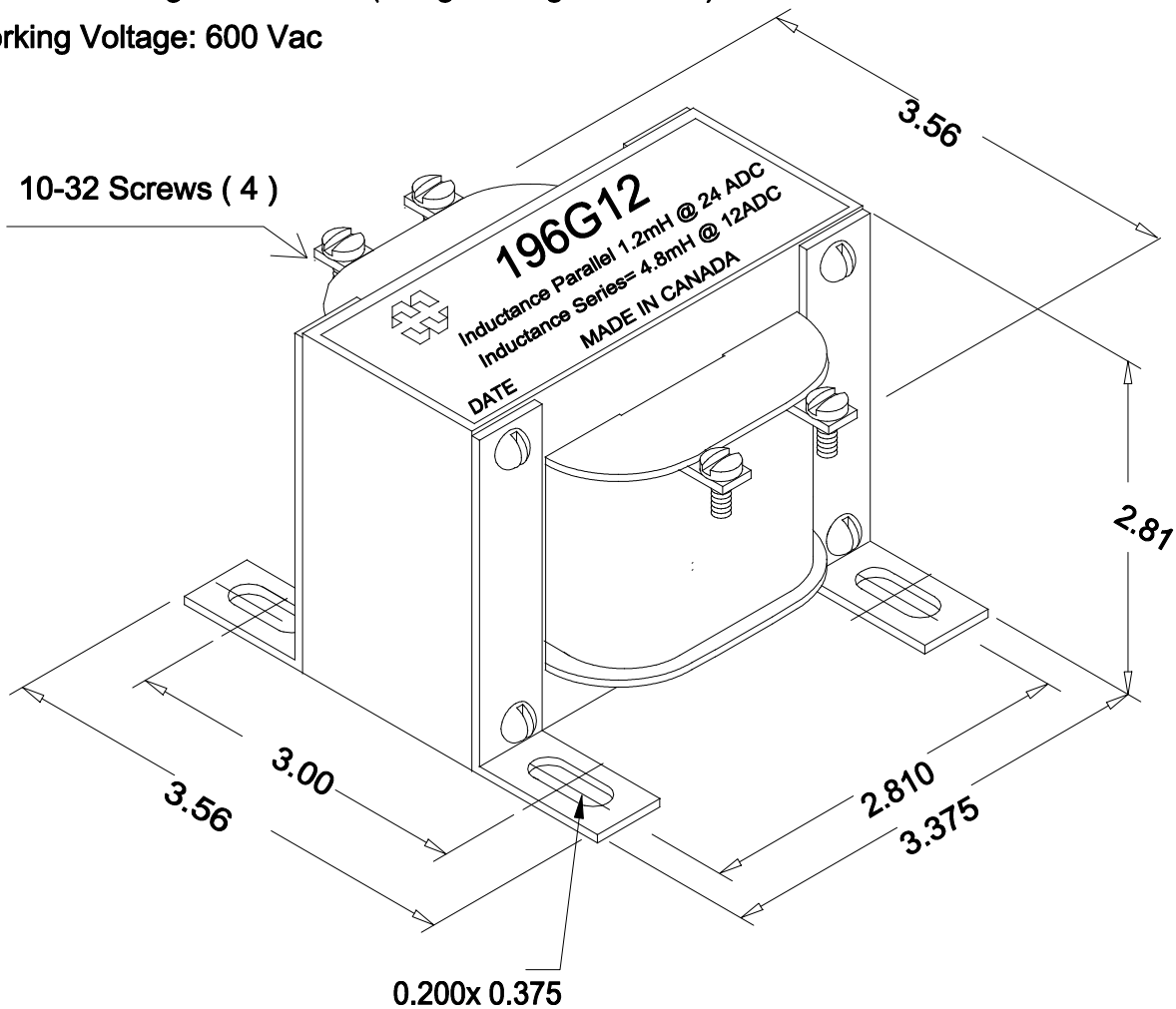
1.2 mH
@24 ADC



Winding Resistance: 0.024 ohms (each)

Dielectric Strength: 2000 Vac (Wdg to Wdg and core)

Working Voltage: 600 Vac



**HAMMOND
MANUFACTURING** TM

WATERLOO TRANSFORMER
GROUP

52 RANKIN PLACE,
WATERLOO, ONTARIO, N2L 3Z5.

PHONE (519) 886-6181
FAX # (519) 886-9540

TITLE

196G12 INDUCTOR

DR BY
D.Hutt

DATE
14/11/12

NO DATE REVISION

DIM IN(X)MM()

EDB196G12