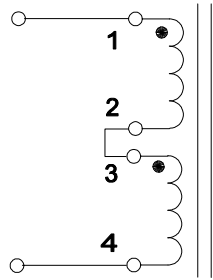


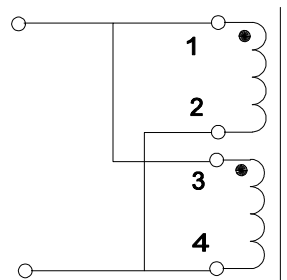
Series

20.0 mH
@4 ADC



Parallel

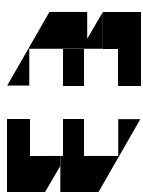
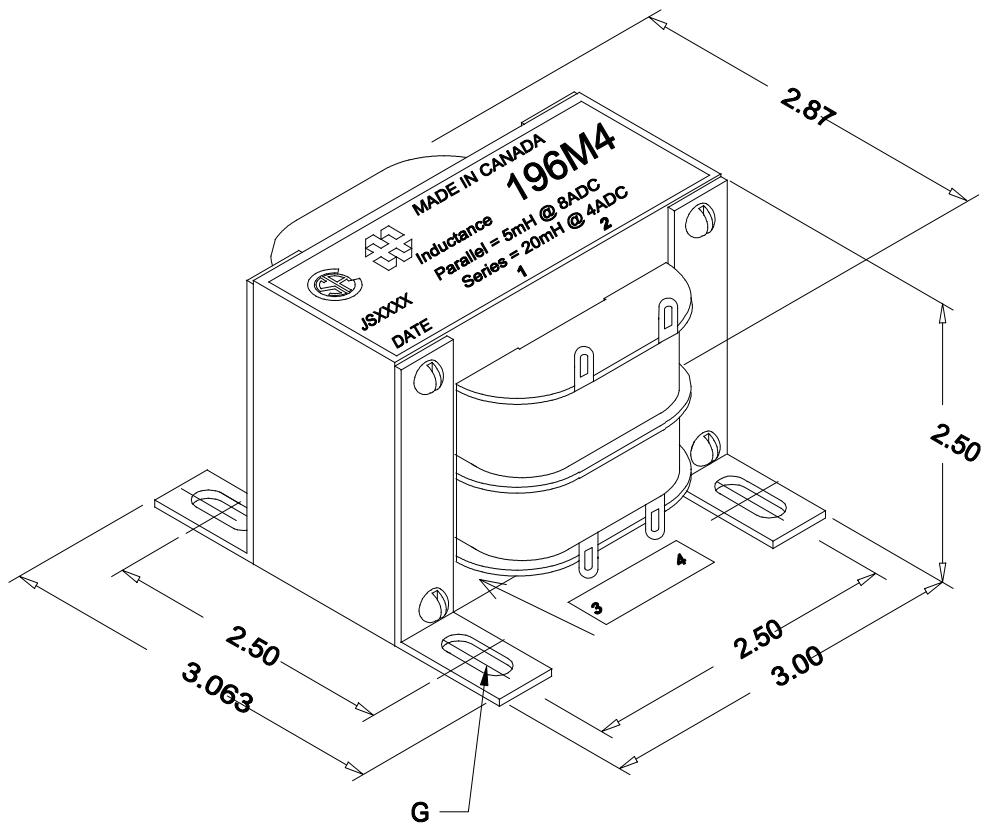
5.0 mH
@8 ADC



Winding Resistance: 0.110 ohms (each)

Dielectric Strength: 2000 Vac (Wdg to Wdg and core)

Working Voltage: 600 Vac



**HAMMOND
MANUFACTURING** TM

WATERLOO TRANSFORMER
GROUP

52 RANKIN PLACE,
WATERLOO, ONTARIO, N2L 3Z5.

PHONE (519) 886-6181
FAX # (519) 886-9540

TITLE

DUAL INDUCTOR

			DR BY D.Hutt
			DATE 14/11/12
NO	DATE	REVISION	DIM IN(X)MM()

EDB196M4