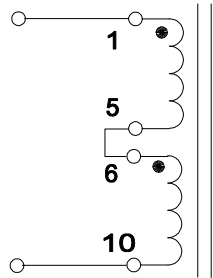


EDB196S1

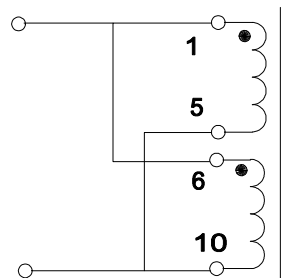
Series

72 mH  
@ 1 ADC



Parallel

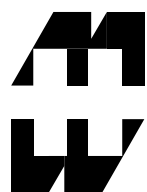
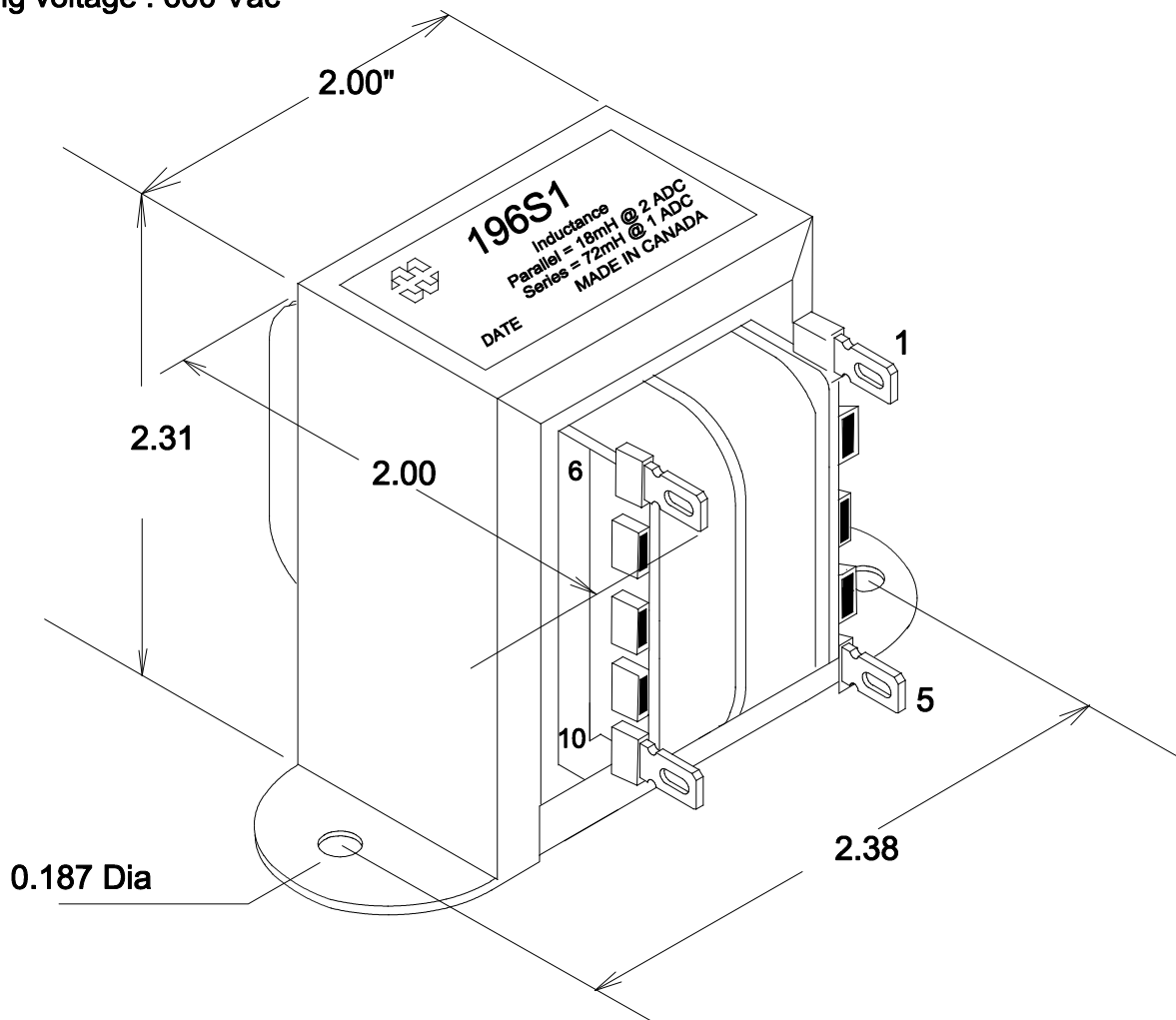
18 mH  
@ 2 ADC



Winding Resistance: 0.553 ohms ( each )

Dielectric Strength: 2000 Vac ( Wdg to Wdg and core )

Working voltage : 600 Vac



**HAMMOND  
MANUFACTURING** <sup>TM</sup>

WATERLOO TRANSFORMER  
GROUP

52 RANKIN PLACE,  
WATERLOO, ONTARIO, N2L 3Z5.

PHONE (519) 886-6181  
FAX # (519) 886-9540

TITLE

196S1 INDUCTOR

			DR BY D.Hutt
			DATE 22/11/12
NO	DATE	REVISION	DIM IN(X)MM( )

EDB196S1