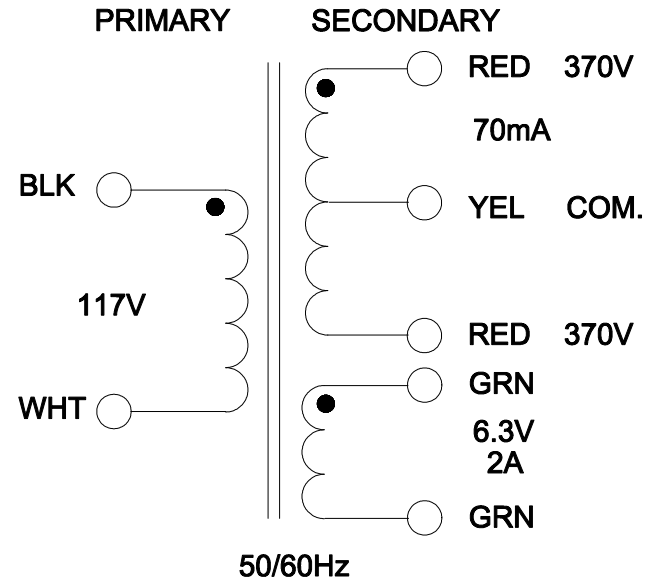
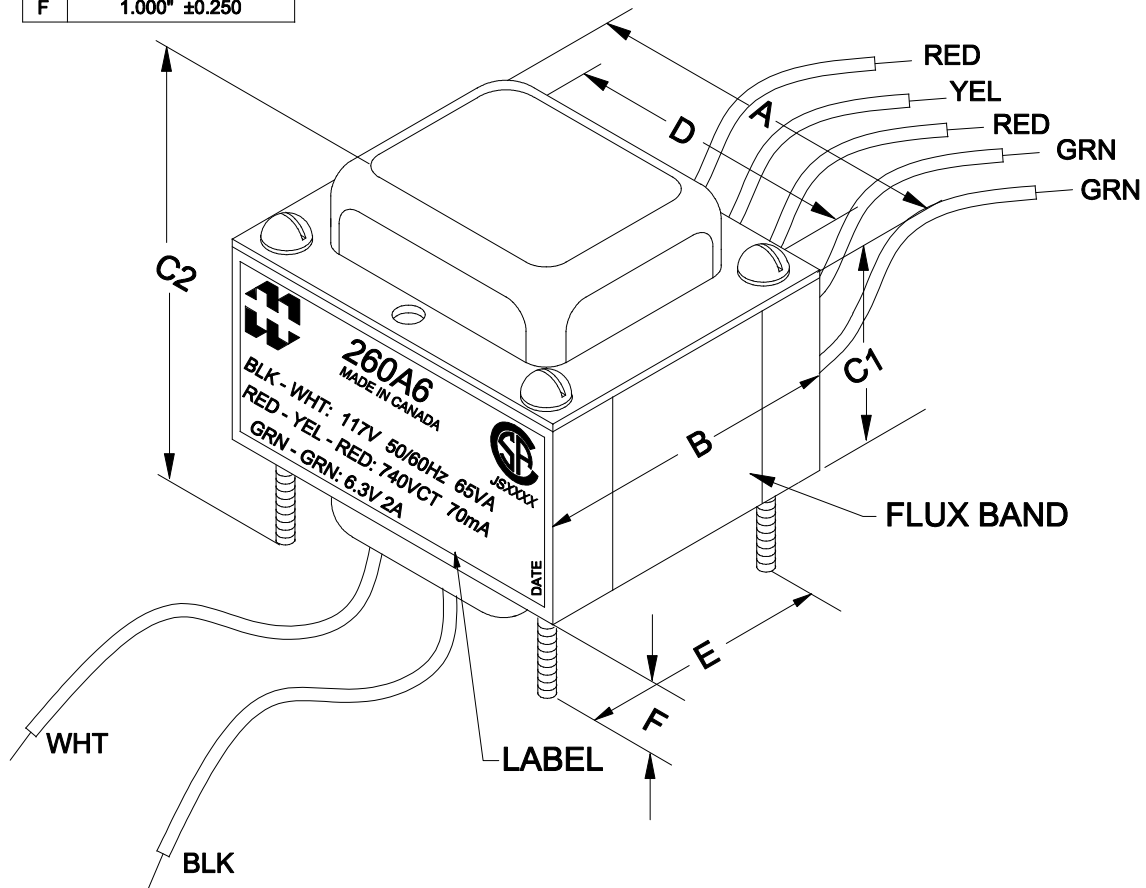


DIMENSIONS:	
A	3.000" ±0.063
B	2.500" ±0.063
C1	1.280" ±0.063
C2	2.900" ±0.125
D	2.500" ±0.063
E	2.000" ±0.063
F	1.000" ±0.250



NOTE: ALL LEADS 9" OUT MIN. STRIPPED 0.5"

ELECTRICAL DATA:		
TESTS	CONDITIONS	ACCEPTANCE CRITERIA
I _{ex}	@ 117V, 60Hz, BLK - WHT	56.4mA Max.
Sec. N.L.V	@ 117V, 60Hz, BLK - WHT	
	RED - RED =	842.0V ±2%
	RED - RED/YEL = RED/YEL - RED =	421.0V ±2%
	GRN - GRN =	7.233V ±2%
DCR	@ 20°C, BLK - WHT =	7.978 Ω ±20%
	@ 20°C, RED - RED =	548.2 Ω ±20%
	@ 20°C, GRN - GRN =	0.201 Ω ±20%
HIPOT	PRIMARY - SECONDARY	2500V, 60Hz, 1 SEC

REV.#	REVISION	DATE	HAMMOND MANUFACTURING™		ELECTRONIC DIVISION	
0	RELEASED.	C.I. 02/13/19	52 RANKIN PLACE, WATERLOO, ONTARIO, N2J 3Z5		PH # (519) 886-6181 FAX # (519) 886-9540	
			DWG. BY: C. ILIE	CHK'D BY:	TITLE: POWER TRANSFORMER	DWG. NO. 260A6
			DATE: 02/13/19	APP'D. BY:		
				DIMENSIONS: IN(X) MM()		