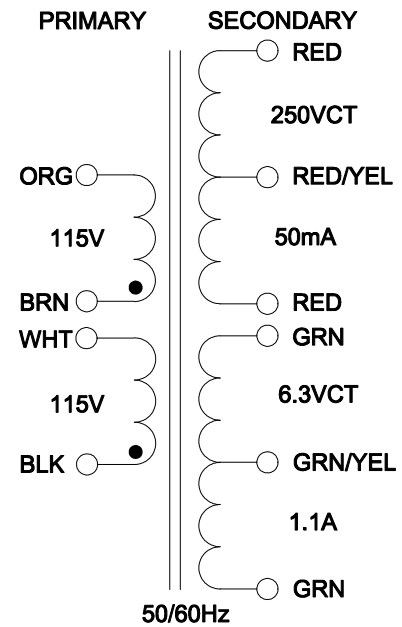
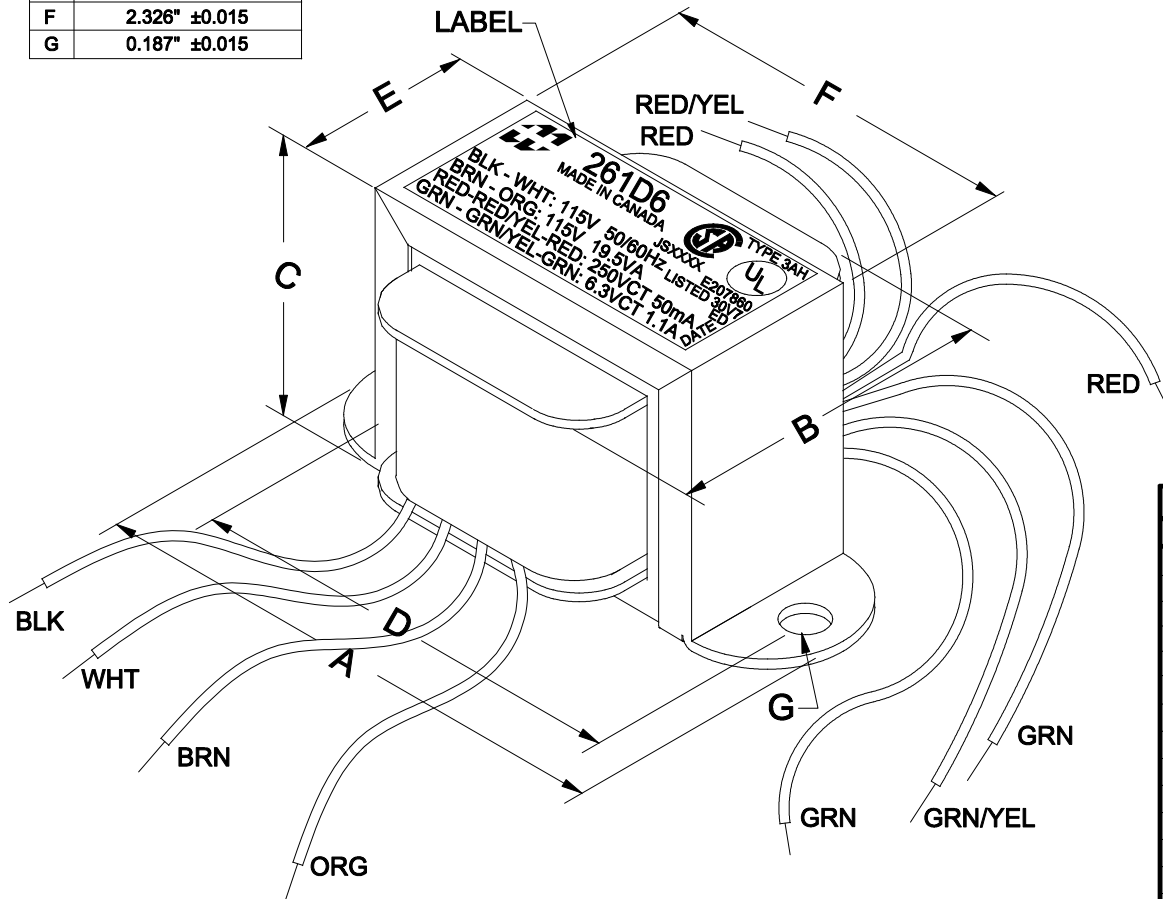


DIMENSIONS:	
A	3.250" ±0.063
B	2.000" ±0.125
C	1.995" ±0.063
D	2.813" ±0.063
E	1.076" ±0.015
F	2.326" ±0.015
G	0.187" ±0.015



NOTE: ALL LEADS 6" OUT MIN. STRIPPED 0.5"

ELECTRICAL DATA:			
TESTS	CONDITIONS	ACCEPTANCE CRITERIA	
I _{ex}	@ 115V, 60Hz, BLK - WHT	54mA	Max.
Sec. N.L.V	@ 115V, 60Hz, BLK - WHT		
	BRN - ORG =	115.0V	±2%
	RED - RED =	280.2V	±2%
	RED - RED/YEL = RED/YEL - RED =	140.1V	±2%
	GRN - GRN =	7.044V	±2%
	GRN - GRN/YEL = GRN/YEL - GRN =	3.522V	±2%
DCR	@ 20°C, BLK - WHT =	52.39 Ω	±20%
	@ 20°C, BRN - ORG =	56.14 Ω	±20%
	@ 20°C, RED - RED =	303.4 Ω	±20%
	@ 20°C, GRN - GRN =	0.323 Ω	±20%
HIPOT	PRIMARY - SECONDARY	2000V, 60Hz, 1 SEC	

REV.#	REVISION	DATE	HAMMOND ELECTRONIC DIVISION		52 RANKIN PLACE, WATERLOO, ONTARIO, N2J 3Z5	PH # (519) 886-6181 FAX # (519) 886-9540
0	RELEASED.	C.B. 08/18/17	MANUFACTURING™			
1	ADDED CT ON THE 6.3V WINDING.	C.I. 02/21/19				
			DWG. BY: C. BACIK	CHK'D BY:		
			DATE: 08/18/17	APP'D. BY:		
				DIMENSIONS: IN(X) MM()		