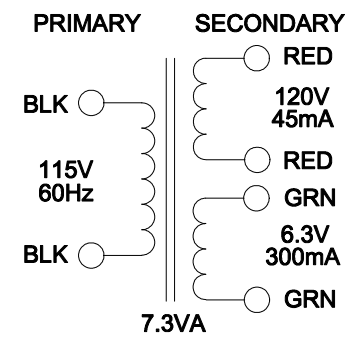
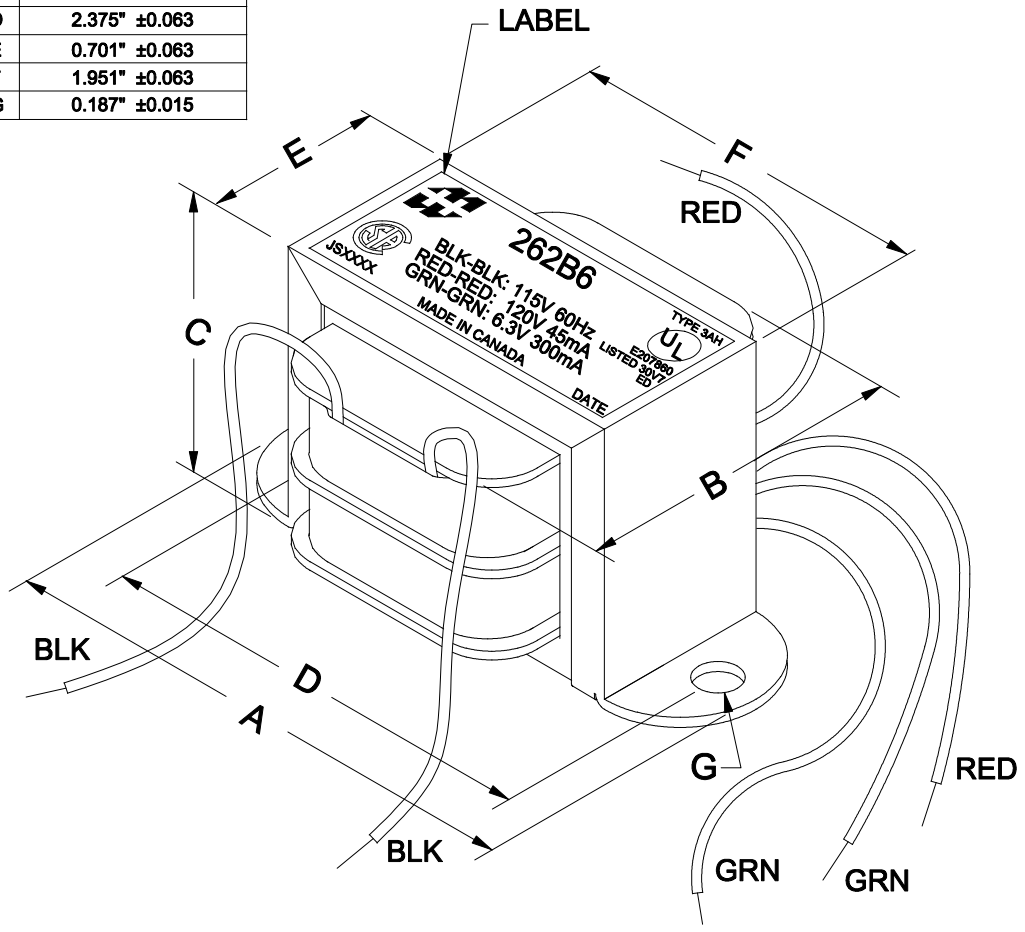


DIMENSIONS:	
A	2.813" ±0.063
B	1.460" ±0.125
C	1.683" ±0.063
D	2.375" ±0.063
E	0.701" ±0.063
F	1.951" ±0.063
G	0.187" ±0.015



NOTE: ALL LEADS 6" OUT MIN. STRIPPED 0.5"

ELECTRICAL DATA:		
TESTS	CONDITIONS	ACCEPTANCE CRITERIA
I _{ex}	@ 115V, 60Hz, BLK - BLK	63.6mA Max.
Sec. N.L.V	@ 115V, 60Hz, BLK - BLK	
	RED - RED =	147.0V ±2%
	GRN - GRN =	7.193V ±2%
DCR	@ 20°C, BLK - BLK =	87.85 Ω ±20%
	@ 20°C, RED - RED =	264.4 Ω ±20%
	@ 20°C, GRN - GRN =	0.936 Ω ±20%
HIPOT	PRIMARY - SECONDARY	1500V, 60Hz, 1 SEC

REV.#	REVISION	DATE	HAMMOND MANUFACTURING™		ELECTRONIC DIVISION	
0	RELEASED.	C.I. 09/01/20	52 RANKIN PLACE, WATERLOO, ONTARIO, N2J 3Z5		PH # (519) 886-6181 FAX # (519) 886-9540	
			DWG. BY: C. ILIE	CHK'D BY:	TITLE: POWER TRANSFORMER	DWG. NO. 262B6
			DATE: 09/01/20	APP'D. BY:		
				DIMENSIONS: IN(X) MM()		