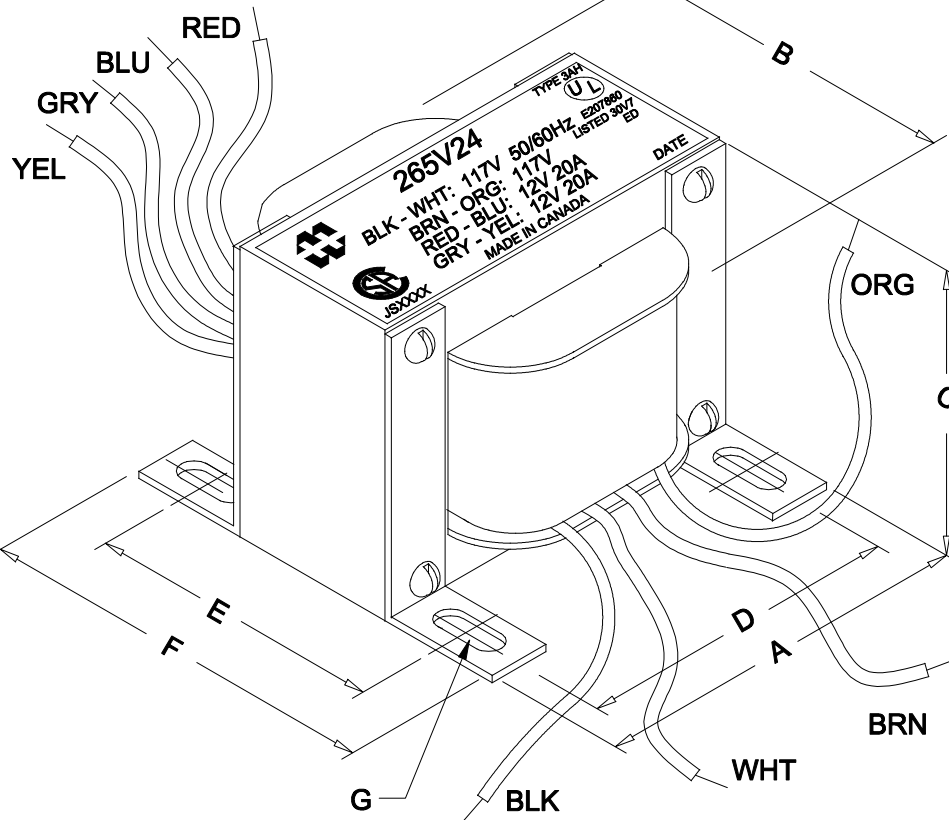
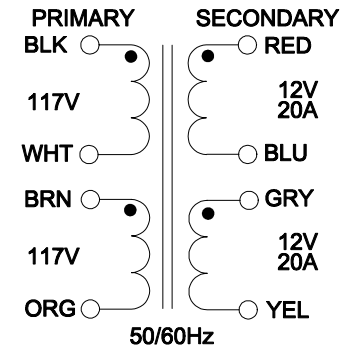


**DIMENSIONS:**

A	4.500" ±0.063
B	5.150" ±0.125
C	3.750" ±0.063
D	3.750" ±0.063
E	4.000" ±0.063
F	4.562" ±0.063
G	0.203" X 0.375" ±0.015



**NOTE: ALL LEADS 9.0" LONG MIN.**



FOR 234V:  
CONNECT WHT & BRN

FOR 117V:  
CONNECT ORG & WHT,  
BRN & BLK

FOR SER. 24V @ 20A  
CONNECT GRY & BLU

FOR PAR. 12V @ 40A  
CONNECT YEL & BLU,  
RED & GRY

**ELECTRICAL DATA:**

TESTS	CONDITIONS	ACCEPTANCE CRITERIA	
I <sub>ex</sub>	@ 117V, 60Hz, BLK - WHT	420mA	Max.
Sec. N.L.V	@ 117V, 60Hz, BLK - WHT		
	BRN - ORG =	117.0V	±2%
	RED - BLU =	12.45V	±2%
	GRY - YEL =	12.45V	±2%
DCR	@ 20°C, WHT - BLK =	0.750 Ω	±20%
	@ 20°C, BRN - ORG =	0.809 Ω	±20%
	@ 20°C, RED - BLU =	0.009 Ω	±20%
	@ 20°C, GRY - YEL =	0.010 Ω	±20%
HIPOT	PRIMARY - SECONDARY	2000V, 60Hz, 1 SEC	

REV.#	REVISION	DATE	HAMMOND ELECTRONIC DIVISION	
0	RELEASED. C.I.	12/30/13	52 RANKIN PLACE, WATERLOO, ONTARIO, N2J 3Z5	
			PH # (519) 886-6181	
			FAX # (519) 886-9540	
		DWG. BY: C. ILIE	CHK'D BY:	TITLE: POWER TRANSFORMER
		DATE: 12/30/13	APP'D. BY:	DWG. NO. 265V/24
			DIMENSIONS: IN(X) MM( )	