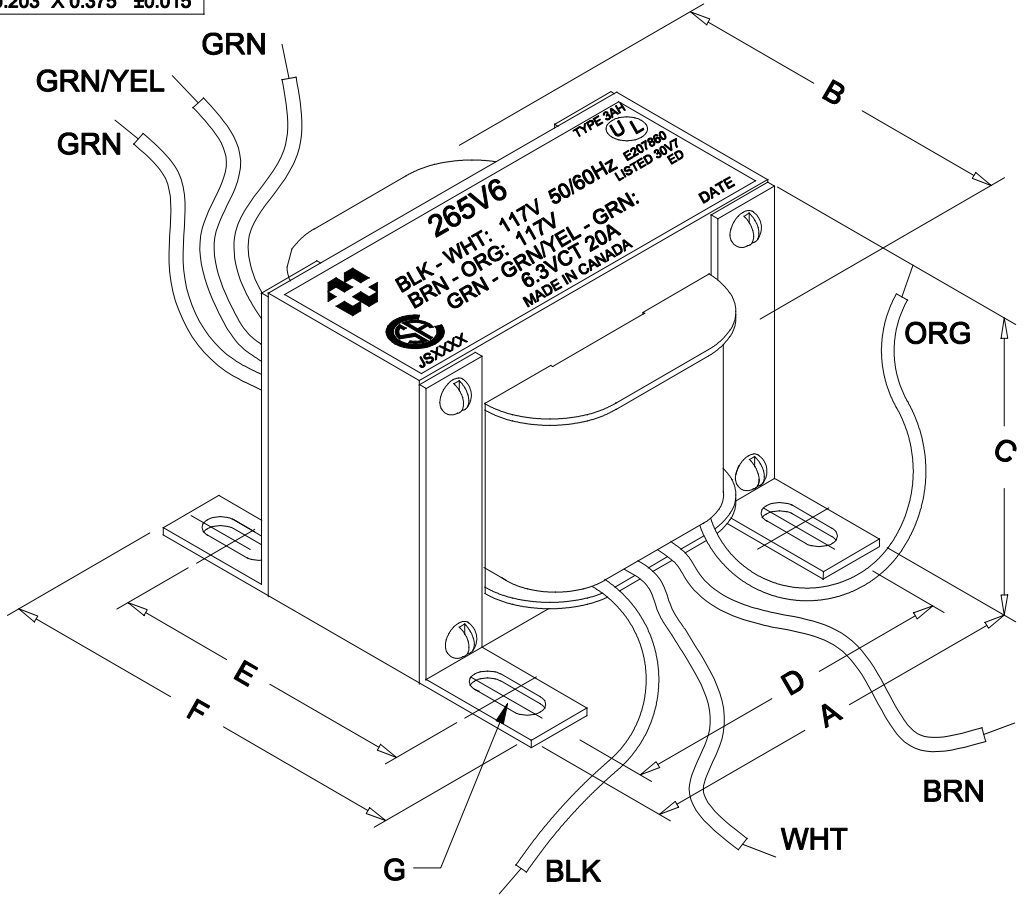
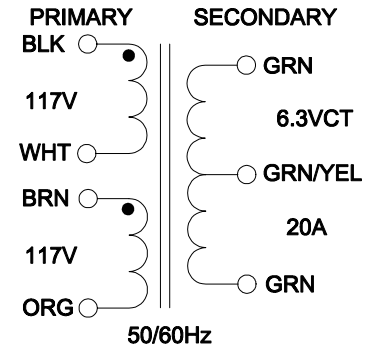


DIMENSIONS:

A	3.750" ±0.063
B	2.960" ±0.125
C	3.125" ±0.063
D	3.125" ±0.063
E	2.500" ±0.063
F	3.062" ±0.063
G	0.203" X 0.375" ±0.015



NOTE: ALL LEADS 9.0" LONG MIN.



FOR 234V:
CONNECT WHT & BRN

FOR 117V:
CONNECT ORG & WHT,
BRN & BLK

ELECTRICAL DATA:

TESTS	CONDITIONS	ACCEPTANCE CRITERIA
I _{ex}	@ 117V, 60Hz, BLK - WHT	186mA Max.
Sec. N.L.V	@ 117V, 60Hz, BLK - WHT	
	BRN - ORG =	117.0V ±2%
	GRN - GRN/YEL = GRN/YEL - GRN =	3.311V ±2%
	GRN - GRN =	6.622V ±2%
DCR	@ 20°C, WHT - BLK =	3.412 Ω ±20%
	@ 20°C, BRN - ORG =	3.815 Ω ±20%
	@ 20°C, GRN - GRN =	0.008 Ω ±20%
HIPOT	PRIMARY - SECONDARY	2000V, 60Hz, 1 SEC

REV.#	REVISION	DATE	HAMMOND MANUFACTURING™	ELECTRONIC DIVISION 52 RANKIN PLACE, WATERLOO, ONTARIO, N2J 3Z5	PH # (519) 886-6181 FAX # (519) 886-9540
0	RELEASED.	C.I. 12/30/13			
			DWG. BY: C. ILIE	CHK'D BY:	TITLE: POWER TRANSFORMER
			DATE: 12/30/13	APP'D. BY:	DWG. NO. 265V6
				DIMENSIONS: IN(X) MM()	