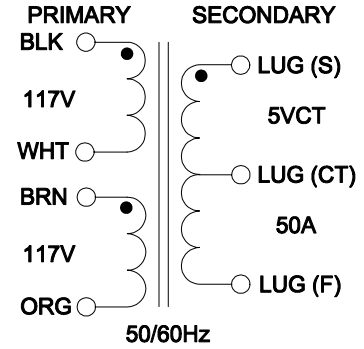
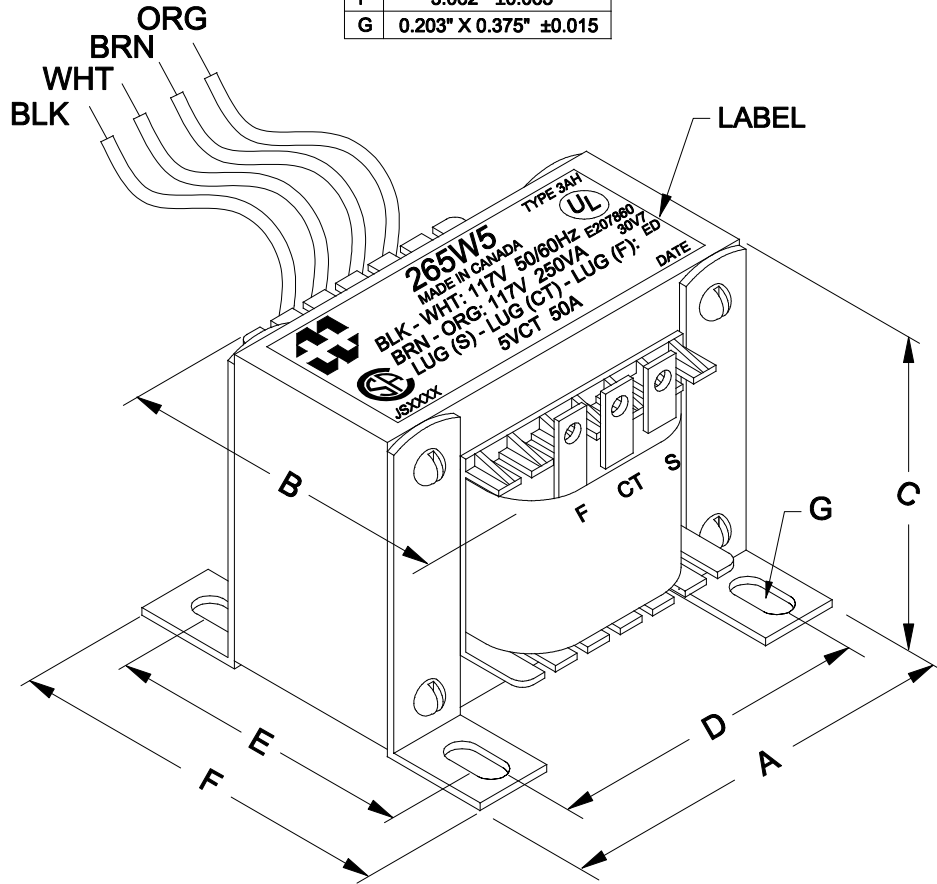


DIMENSIONS:	
A	4.500" ±0.063
B	3.750" ±0.125
C	3.750" ±0.063
D	3.750" ±0.063
E	2.500" ±0.063
F	3.062" ±0.063
G	0.203" X 0.375" ±0.015



NOTE: ALL LEADS 12.0" OUT MIN.

ELECTRICAL DATA:		
TESTS	CONDITIONS	ACCEPTANCE CRITERIA
I _{ex}	@ 117V, 60Hz, BLK - WHT	325mA Max.
Sec. N.L.V	@ 117V, 60Hz, BLK - WHT	
	BRN - ORG =	117.0V ±2%
	LUG (S) - LUG (F) =	5.400V ±2%
	LUG (S) - LUG (CT) = LUG (CT) - LUG (F) =	2.700V ±2%
DCR	@ 20°C, BLK - WHT =	1.935 Ω ±20%
	@ 20°C, BRN - ORG =	2.143 Ω ±20%
	@ 20°C, LUG (S) - LUG (F) =	0.003 Ω ±20%
HIPOT	PRIMARY - SECONDARY	4000V, 60Hz, 1 SEC

REV.#	REVISION	DATE	HAMMOND ELECTRONIC DIVISION		52 RANKIN PLACE, WATERLOO, ONTARIO, N2J 3Z5		PH # (519) 886-6181
0	RELEASED.	C.I. 08/31/20	MANUFACTURING™				FAX # (519) 886-9540
			DWG. BY: C. ILIE	CHK'D BY:	TITLE: POWER TRANSFORMER	DWG. NO. 265W5	
			DATE: 08/31/20	APP'D. BY:			
				DIMENSIONS: IN(X) MM()			