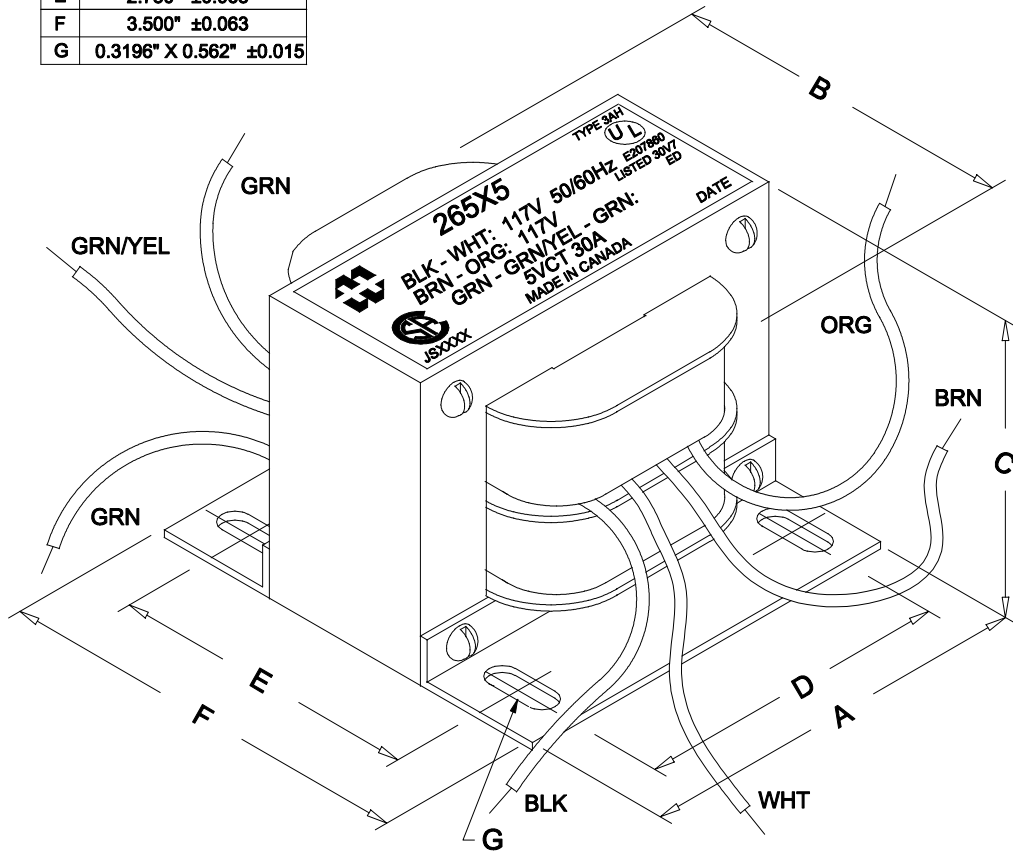
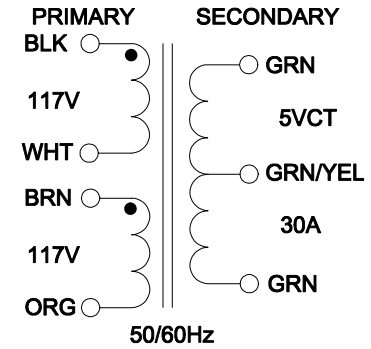


DIMENSIONS:	
A	3.750" ±0.063
B	2.900" ±0.125
C	3.125" ±0.063
D	3.125" ±0.063
E	2.750" ±0.063
F	3.500" ±0.063
G	0.3196" X 0.562" ±0.015



NOTE: ALL LEADS 6.0" LONG MIN.



ELECTRICAL DATA:		
TESTS	CONDITIONS	ACCEPTANCE CRITERIA
I _{ex}	@ 117V, 60Hz, WHT - BLK	135mA Max.
Sec. N.L.V	@ 117V, 60Hz, WHT - BLK	
	BRN - ORG =	117.0V ±2%
	GRN - GRN/YEL = GRN/YEL - GRN =	2.713V ±2%
	GRN - GRN =	5.426V ±2%
DCR	@ 20°C, WHT - BLK =	4.835 Ω ±20%
	@ 20°C, BRN - ORG =	5.722 Ω ±20%
	@ 20°C, GRN - GRN =	0.006 Ω ±20%
HIPOT	PRIMARY - SECONDARY	2000V, 60Hz, 1 SEC

REV.#	REVISION	DATE	HAMMOND ELECTRONIC DIVISION	
0	RELEASED. C.I.	12/05/13	52 RANKIN PLACE, WATERLOO, ONTARIO, N2J 3Z5	
			PH # (519) 886-6181	
			FAX # (519) 886-9540	
			DWG. BY: C. ILIE	CHK'D BY:
			DATE: 12/05/13	APP'D. BY:
			DATE: 12/05/13	DIMENSIONS: IN(X) MM()
			TITLE: POWER TRANSFORMER	DWG. NO. 265X5