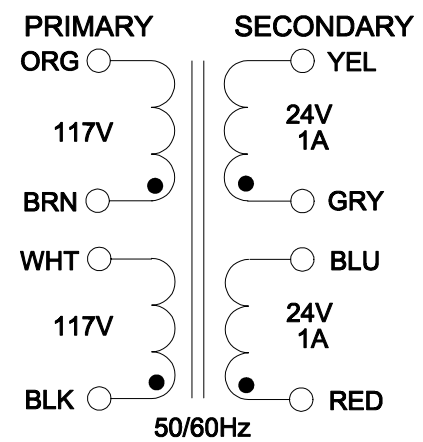


DIMENSIONS:	
A	3.563" ±0.063
B	2.210" ±0.125
C	3.120" ±0.063
D	3.125" ±0.063
E	1.076" ±0.063
F	2.576" ±0.063
G	0.187" ±0.015



FOR 234V:
CONNECT WHT & BRN
I/P BLK TO ORG

FOR 117V:
CONNECT ORG & WHT,
BRN & BLK
I/P BLK TO WHT

FOR SERIES 20V @ 2A
CONNECT GRY & BLU;
I/P RED TO YEL

FOR PARALLEL 10V @ 4A
CONNECT YEL & BLU,
RED & GRY
I/P RED TO BLU

ELECTRICAL DATA:		
TESTS	CONDITIONS	ACCEPTANCE CRITERIA
I _{ex}	@ 117V, 60Hz, BLK - WHT	173mA Max.
Sec. N.L.V	@ 117V, 60Hz, BLK - WHT	
	BRN - ORG =	117.0V ±2%
	RED - BLU =	26.14V ±2%
	GRY - YEL =	26.14V ±2%
DCR	@ 20°C, BLK - WHT =	15.22 Ω ±20%
	@ 20°C, BRN - ORG =	18.38 Ω ±20%
	@ 20°C, RED - BLU =	0.833 Ω ±20%
	@ 20°C, GRY - YEL =	1.024 Ω ±20%
HIPOT	PRIMARY - SECONDARY	2000V, 60Hz, 1 SEC

NOTE: ALL LEADS 6.0" LONG OUT MIN.

REV.#	REVISION	DATE	HAMMOND MANUFACTURING™		ELECTRONIC DIVISION	
0	RELEASED.	C.I. 08/20/20	52 RANKIN PLACE, WATERLOO, ONTARIO, N2J 3Z5		PH # (519) 886-6181 FAX # (519) 886-9540	
			DWG. BY: C. ILIE	CHK'D BY:	TITLE: POWER TRANSFORMER	DWG. NO. 266J48
			DATE: 08/20/20	APP'D. BY:		
				DIMENSIONS: IN(X) MM()		