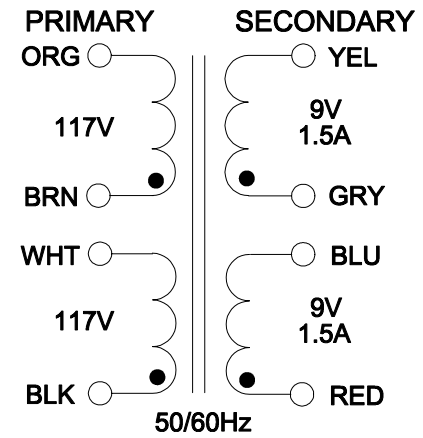
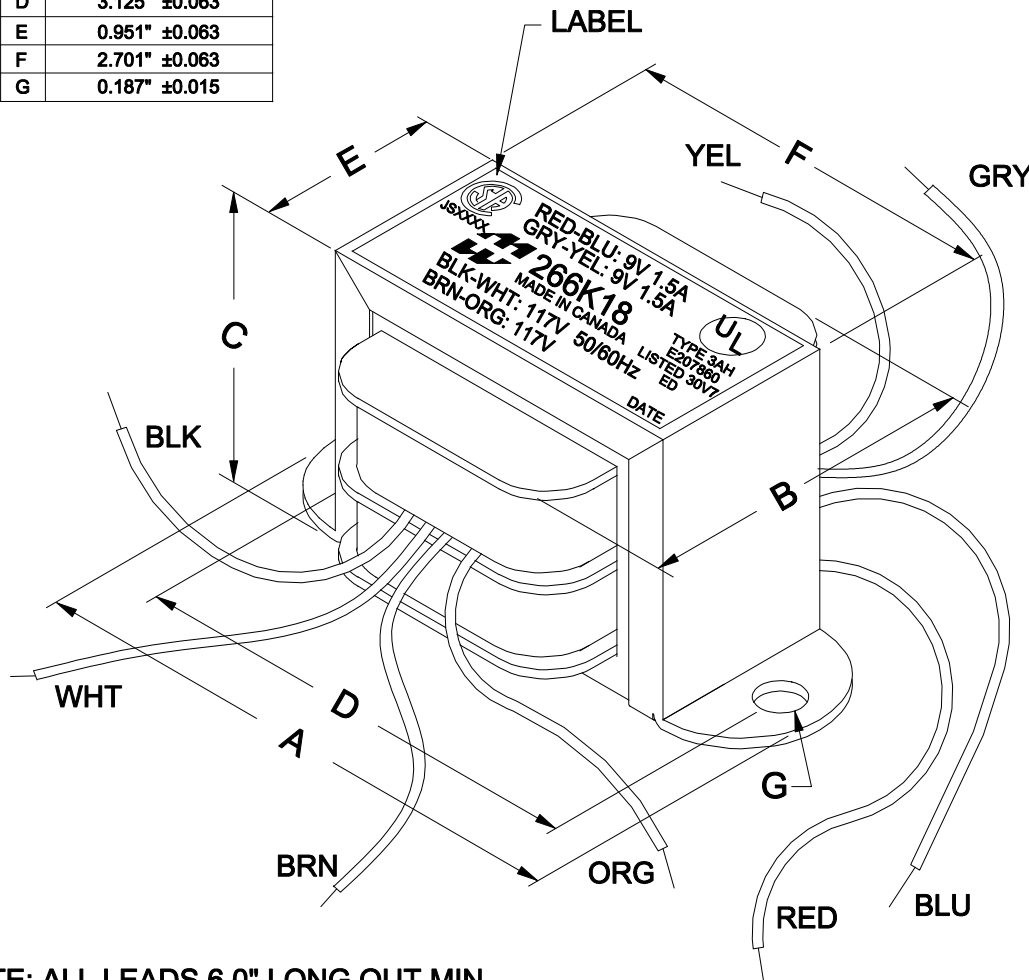


DIMENSIONS:	
A	3.688" ±0.063
B	1.970" ±0.125
C	2.308" ±0.063
D	3.125" ±0.063
E	0.951" ±0.063
F	2.701" ±0.063
G	0.187" ±0.015



FOR 234V: CONNECT WHT & BRN INPUT BLK TO ORG

FOR 117V: CONNECT ORG & WHT, BRN & BLK INPUT BLK TO WHT

FOR SERIES 18V @ 1.5A: CONNECT GRY & BLU INPUT RED TO YEL

FOR PARALLEL 9V @ 3A: CONNECT YEL & BLU, GRY & RED INPUT RED TO BLU

NOTE: ALL LEADS 6.0" LONG OUT MIN.

ELECTRICAL DATA:		
TESTS	CONDITIONS	ACCEPTANCE CRITERIA
lex	@ 117V, 60Hz, BLK - WHT	53mA Max.
Sec. N.L.V	@ 117V, 60Hz, BLK - WHT	
	BRN - ORG =	117.0V ±2%
	RED - BLU =	10.12V ±2%
	GRY - YEL =	10.12V ±2%
DCR	@ 20°C, BLK - WHT =	36.86 Ω ±20%
	@ 20°C, BRN - ORG =	44.09 Ω ±20%
	@ 20°C, RED - BLU =	0.310 Ω ±20%
	@ 20°C, GRY - YEL =	0.370 Ω ±20%
HIPOT	PRIMARY - SECONDARY	2000V, 60Hz, 1 SEC

REV.#	REVISION	DATE	HAMMOND MANUFACTURING™		ELECTRONIC DIVISION	
0	RELEASED.	C.I. 07/26/22	52 RANKIN PLACE, WATERLOO, ONTARIO, N2J 3Z5		PH # (519) 886-6181 FAX # (519) 886-9540	
			DWG. BY: C. ILIE	CHK'D BY:	TITLE: POWER TRANSFORMER	DWG. NO. 266K18
			DATE: 07/26/22	APP'D. BY:		
				DIMENSIONS: IN(X) MM( )		