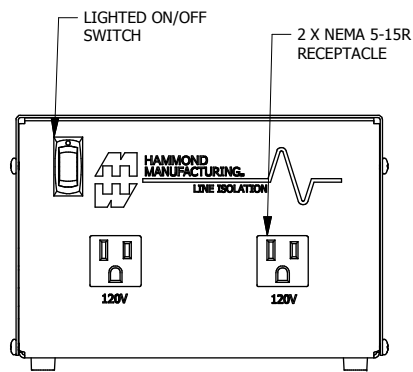
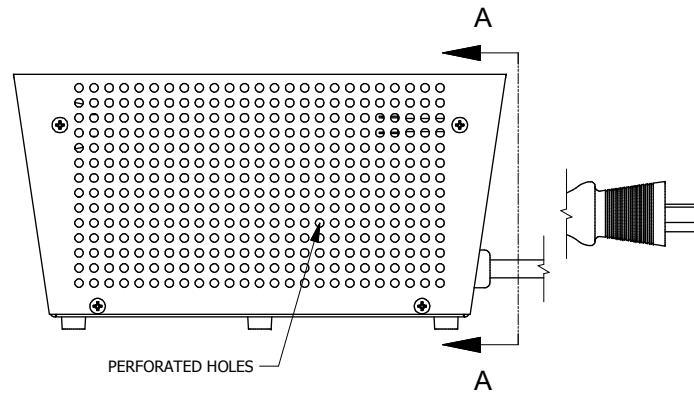


ASSEMBLY - ISOMTERIC VIEW

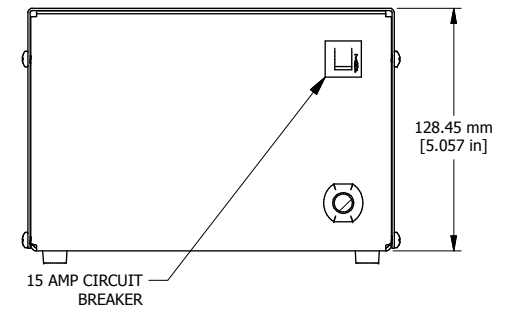


ASSEMBLY - FRONT VIEW

ASSEMBLY - TOP VIEW



ASSEMBLY - SIDE VIEW



SECTION A-A

289ET

Finish - Black Textured Powder Paint

Rated Input - 240 V, 750 VA

Rated Output - 120 V, 750 VA

Approvals - cULus Listed, #E211544



HAMMOND  
MANUFACTURING™

289ET

www.hammondmfg.com