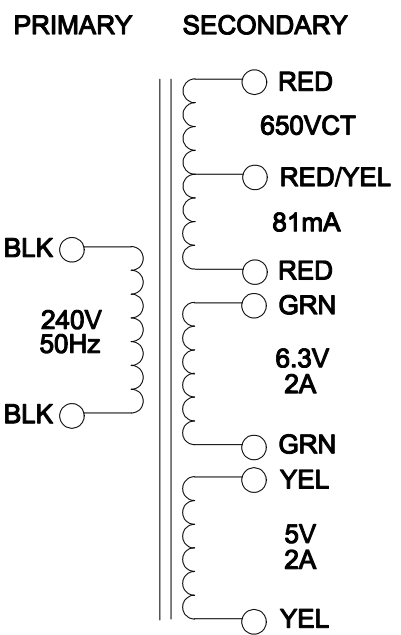


NOTE: ALL LEADS 9" OUT MIN., STRIPPED .5"



DIMENSIONS:	
A	2.500" ±0.063
B	2.817" ±0.063
C	3.000" ±0.063
D	1.250" ±0.063
E	2.000" ±0.063
F	2.500" ±0.063

ELECTRICAL DATA:	
URNS RATIO:	1 : 2.91 (RED - RED)
lex	@ 240V, 50Hz, BLK - BLK = 230mA Max.
DCR	@ 20°C, BLK - BLK = 19.65Ω ±20%
	@ 20°C, RED - RED = 334.9Ω ±20%
	@ 20°C, GRN - GRN = 0.214Ω ±20%
	@ 20°C, YEL - YEL = 0.176Ω ±20%
PRI. V	240V 50Hz
SEC. RATED V(RMS)	650VCT @ 81mA / 6.3V @ 2A / 5V @ 2A
SEC. N.L.V.	698.6VCT / 6.76V / 5.35V

**HAMMOND
ELECTRONICS**
52 RANKIN PLACE,
WATERLOO, ONTARIO, N2L 3Z5.
PHONE (519) 886-6181
FAX # (519) 886-9540

TITLE				290AEX
POWER TRANSFORMER				
3	05/10/16	CORRECTED TURNS RATIO.	C.I. DR BY IOAN POP	
2	09/28/12	CORRECTED DIMENSIONS.	D.H. DATE 05/12/09	
NO	DATE	REVISION	DIM IN(X)MM()	