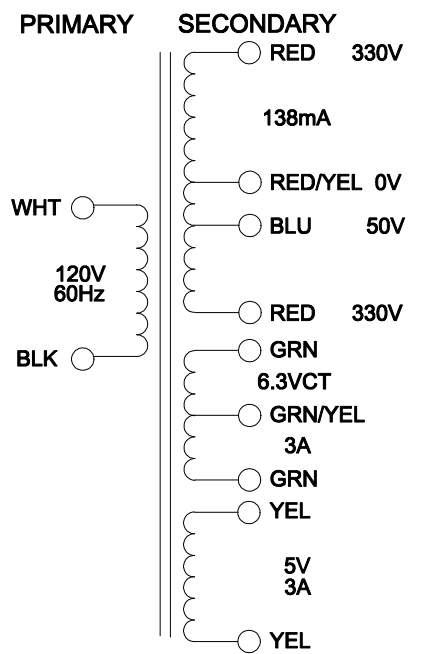


DIMENSIONS:	
A	2.813" ±0.063
B	4.063" ±0.125
C	3.421" ±0.063
D	2.250" ±0.063
E	2.875" ±0.063
G	0.203" X 0.375 ±0.015



ELECTRICAL DATA:		
TESTS	CONDITIONS	ACCEPTANCE CRITERIA
Iex	@ 120V, 60Hz, WHT - BLK	283mA Max.
Sec. N.L.V	@ 120V, 60Hz, WHT - BLK	
	RED - RED/YEL = RED/YEL - RED =	345.5V ±2%
	RED - RED =	691.1V ±2%
	RED/YEL - BLU =	52.53V ±2%
	GRN - GRN/YEL = GRN/YEL - GRN =	3.373V ±2%
	GRN - GRN =	6.747V ±2%
	YEL - YEL =	5.301V ±2%
DCR	@ 20°C, WHT - BLK =	2.446 Ω ±20%
	@ 20°C, RED - RED =	102.7 Ω ±20%
	@ 20°C, GRN - GRN =	0.066 Ω ±20%
	@ 20°C, YEL - YEL =	0.054 Ω ±20%
HIPOT	PRIMARY - SECONDARY	2500V, 60Hz, 1 SEC

NOTE: ALL LEADS 14.0" LONG OUT MIN.

REV.#	REVISION	DATE
0	RELEASED.	C.I. 01/11/21
1	REDESIGNED. ADDED CT ON 6.3V WDG.	C.I. 02/02/21

HAMMOND MANUFACTURING ELECTRONIC DIVISION
 52 RANKIN PLACE, WATERLOO, ONTARIO, N2J 3Z5
 PH # (519) 886-6181 FAX # (519) 886-9540

DWG. BY: C. ILIE CHK'D BY:
 DATE: 01/11/21 APP'D. BY:
 DIMENSIONS: IN(X) MM()

TITLE: POWER TRANSFORMER DWG. NO. 290BXX