

DIMENSIONS:	
A	3.13" ±0.063
B	5.10" ±0.125
C	3.75" ±0.063
D	2.00" ±0.063
E	2.50" ±0.063
F	3.13" ±0.063

HAMMOND MANUFACTURING
290CG

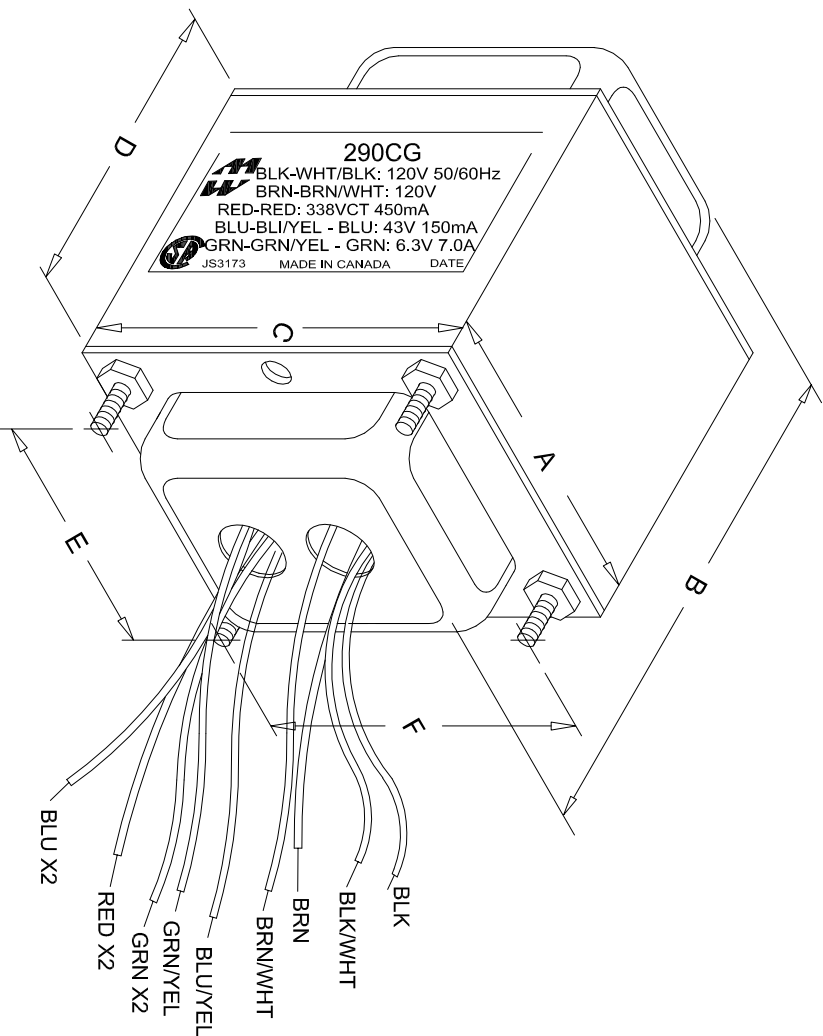
E207860
TYPE: 3AH ED

PRI: BLK - BLK/WHT 120V 50/60Hz
PRI: BLN - BRN/WHT 120V

OUTPUT: RED - RED @ 338V @ 450mA
OUTPUT: BLU - BLU/YEL - BLU 32V @ 150mA
OUTPUT: GRN - GRN/YEL - GRN 6.3V @ 7.0A

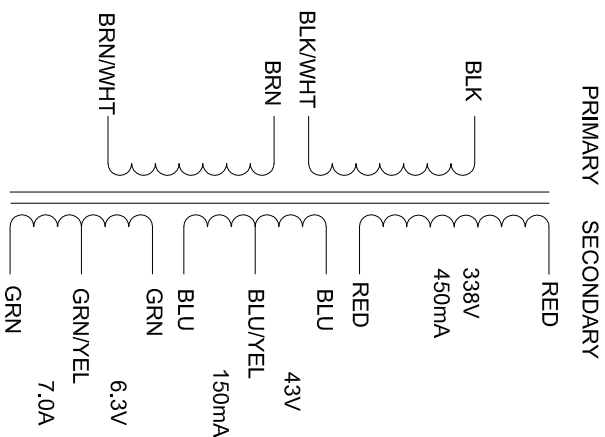
DATE MADE IN CANADA

JS3173



NOTE: ALL LEADS 9" OUT MIN., STRIPPED .5"

PROPERTY AND COPYRIGHT NOTICE
THIS DRAWING AND THE INFORMATION IT CONVEYS ARE THE PROPERTY OF HAMMOND MANUFACTURING. IT MAY NOT BE REPRODUCED, TRANSMITTED OR USED IN ANY MANNER WHATSOEVER WITHOUT THE WRITTEN PERMISSION OF HAMMOND MANUFACTURING.



ELECTRICAL DATA:

TESTS	CONDITIONS	ACCEPTANCE CRITERIA
lex	@ 120V, 60Hz, BLK - BLK/WHT	400 mA Max.
Sec. N.L.V	@ 120V, 60Hz, BLK - BLK/WHT	
	BRN - BRN/WHT =	120V ±2%
	RED - RED =	354.3V ±2%
	GRN - GRN =	6.614V ±3%
	GRN - GRN/YEL = GRN/YEL - GRN =	3.307V ±3%
	BLU - BLU/YEL - BLU =	45.35V ±3%
DCR	@ 20°C, BLK - BLK/WHT =	2.49 Ω ±20%
	@ 20°C, BRN - BRN/WHT =	2.680 Ω ±20%
	@ 20°C, RED - RED =	6.00 Ω ±20%
	@ 20°C, BLU - BLU =	18.11 Ω ±20%
	@ 20°C, GRN - GRN =	0.75 Ω ±20%
HIPOT	PRIMARY - SECONDARY	2000V, 60Hz, 1 SEC

REV #	REVISION	DATE
0	RELEASED.	10/19/2021

DWG. BY: D.HUTT	CHK'D BY:
DATE: 10/19/2021	APP'D. BY:
	DIMENSIONS: IN(X) MM()



ELECTRONIC DIVISION
52 RANKIN PLACE,
WATERLOO, ONTARIO, N2J 3Z5

PH # (519) 886-6181
FAX # (519) 886-9540

TITLE: AUDIO POWER TRANSFORMER

DWG. NO. 290CG