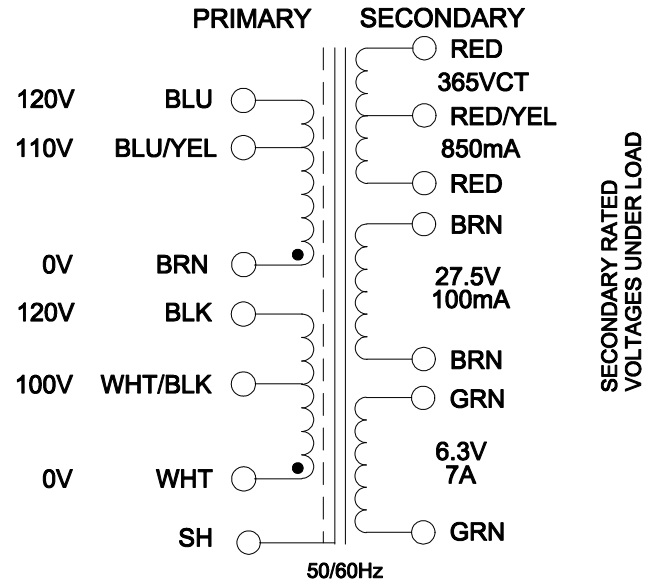
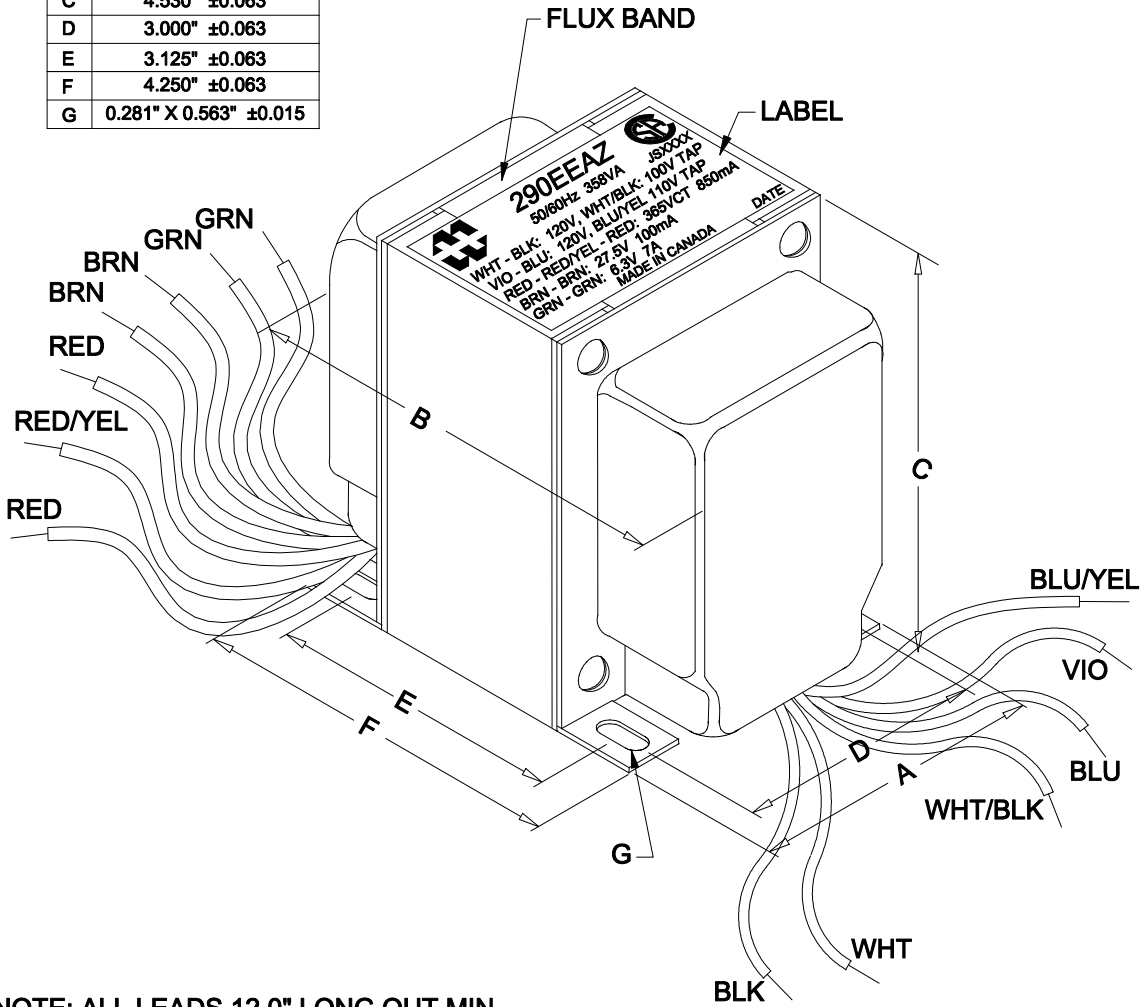


DIMENSIONS:	
A	3.750" ±0.063
B	4.675" ±0.125
C	4.530" ±0.063
D	3.000" ±0.063
E	3.125" ±0.063
F	4.250" ±0.063
G	0.281" X 0.563" ±0.015



NOTE: ALL LEADS 12.0" LONG OUT MIN.

ELECTRICAL DATA:			
TESTS	CONDITIONS	ACCEPTANCE CRITERIA	
I _{ex}	@ 120V, 60Hz, WHT - BLK	81.6mA	Max.
Sec. N.L.V	@ 120V, 60Hz, WHT - BLK		
	WHT - WHT/BLK =	100.4V	±2%
	VIO - BLU/YEL =	110.2V	±2%
	RED - RED/YEL = RED/YEL - RED =	193.6V	±2%
	RED - RED =	387.3V	±2%
	BRN - BRN =	29.36V	±2%
	GRN - GRN =	6.695V	±2%
DCR	@ 20°C, WHT - BLK =	1.581 Ω	±20%
	@ 20°C, VIO - BLU =	1.747 Ω	±20%
	@ 20°C, RED - RED =	12.86 Ω	±20%
	@ 20°C, BRN - BRN =	8.449 Ω	±20%
	@ 20°C, GRN - GRN =	0.030 Ω	±20%
HIPOT	PRIMARY - SECONDARY	2000V, 60Hz, 1 SEC	

REV.#	REVISION	DATE
0	PRELIMINARY.	C.I. 03/21/23

HAMMOND ELECTRONIC DIVISION
MANUFACTURING
 52 RANKIN PLACE,
 WATERLOO, ONTARIO, N2J 3Z5
 PH # (519) 886-6181
 FAX # (519) 886-9540

DWG. BY: C. ILIE	CHK'D BY:	TITLE: POWER TRANSFORMER	DWG. NO. 290EEAZ
DATE: 03/21/23	APP'D. BY:		
	DIMENSIONS: IN(X) MM()		