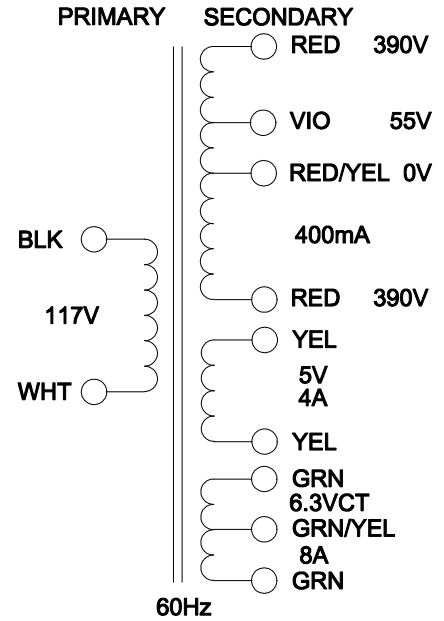
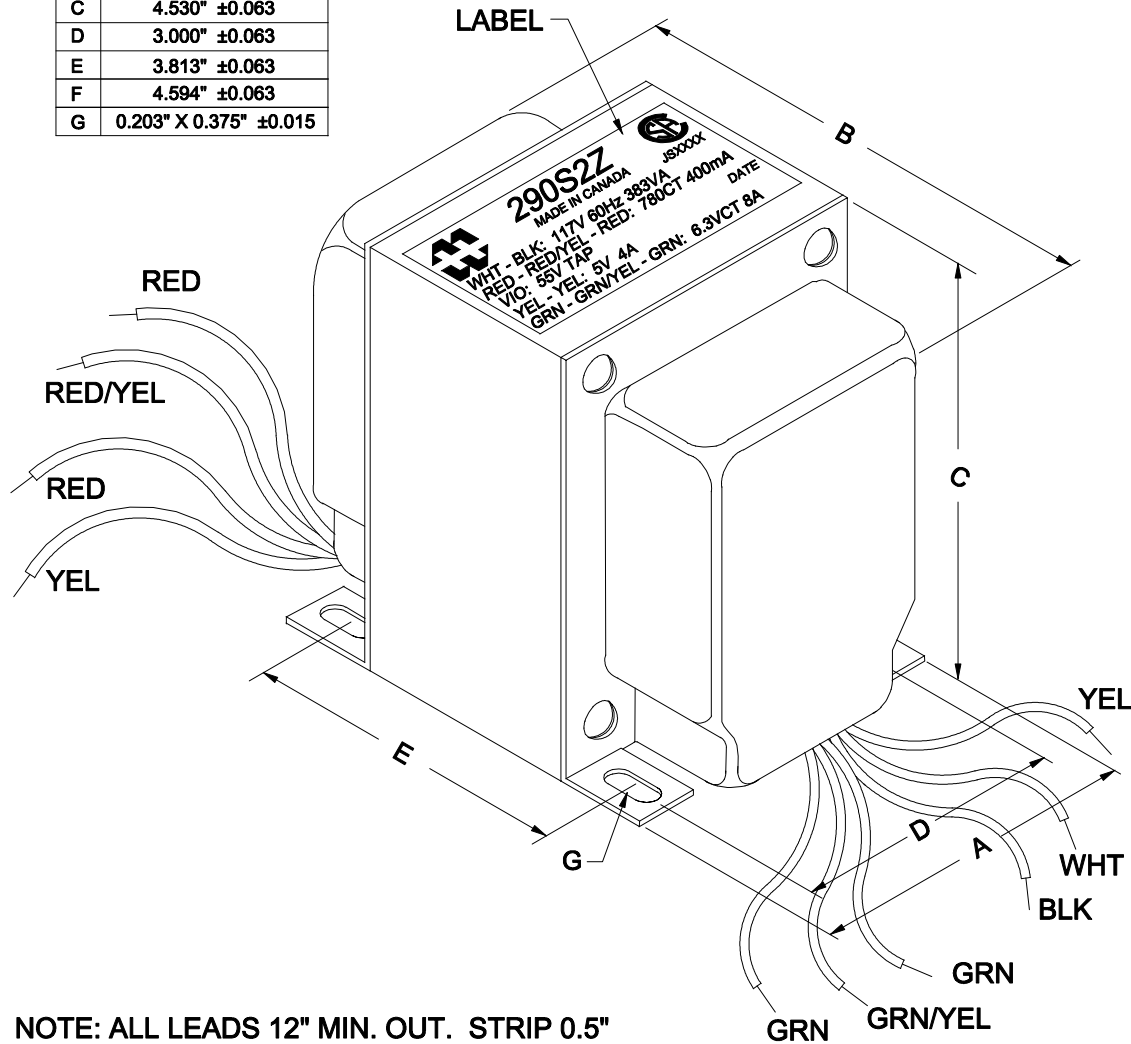


DIMENSIONS:	
A	3.750" ±0.063
B	4.935" ±0.125
C	4.530" ±0.063
D	3.000" ±0.063
E	3.813" ±0.063
F	4.594" ±0.063
G	0.203" X 0.375" ±0.015



NOTE: ALL LEADS 12" MIN. OUT. STRIP 0.5"

ELECTRICAL DATA:		
TESTS	CONDITIONS	ACCEPTANCE CRITERIA
Iex	@ 117V, 60Hz, WHT - BLK	803mA Max.
Sec. N.L.V	@ 117V, 60Hz, WHT - BLK	
	RED - RED/YEL = RED/YEL - RED =	402.2V ±2%
	VIO - RED/YEL =	56.88V ±2%
	RED - RED =	804.4V ±2%
	YEL - YEL =	5.281V ±2%
	GRN - GRN/YEL = GRN/YEL - GRN =	3.250V ±2%
	GRN - GRN =	6.500V ±2%
DCR	@ 20°C, WHT - BLK =	0.446 Ω ±20%
	@ 20°C, RED - RED =	28.25 Ω ±20%
	@ 20°C, YEL - YEL =	0.021 Ω ±20%
	@ 20°C, GRN - GRN =	0.013 Ω ±20%
HIPOT	PRIMARY - SECONDARY	3000V, 60Hz, 1 SEC

REV.#	REVISION	DATE
0	RELEASED.	C.I. 10/29/18

**HAMMOND ELECTRONIC DIVISION**  
**MANUFACTURING** 52 RANKIN PLACE, WATERLOO, ONTARIO, N2J 3Z5  
 PH # (519) 886-6181 FAX # (519) 886-9540

DWG. BY: C. ILIE	CHK'D BY:	TITLE: POWER TRANSFORMER	DWG. NO. 290S2Z
DATE: 10/29/18	APP'D. BY:		
	DIMENSIONS: IN(X) MM( )		