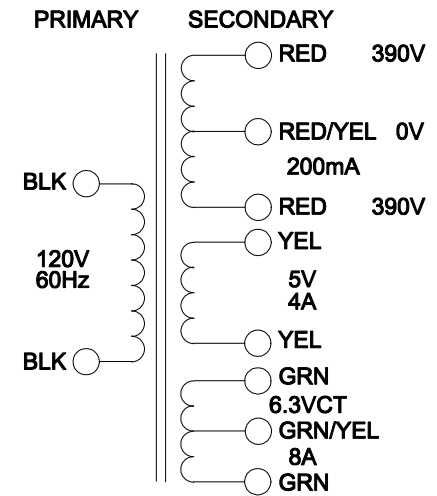
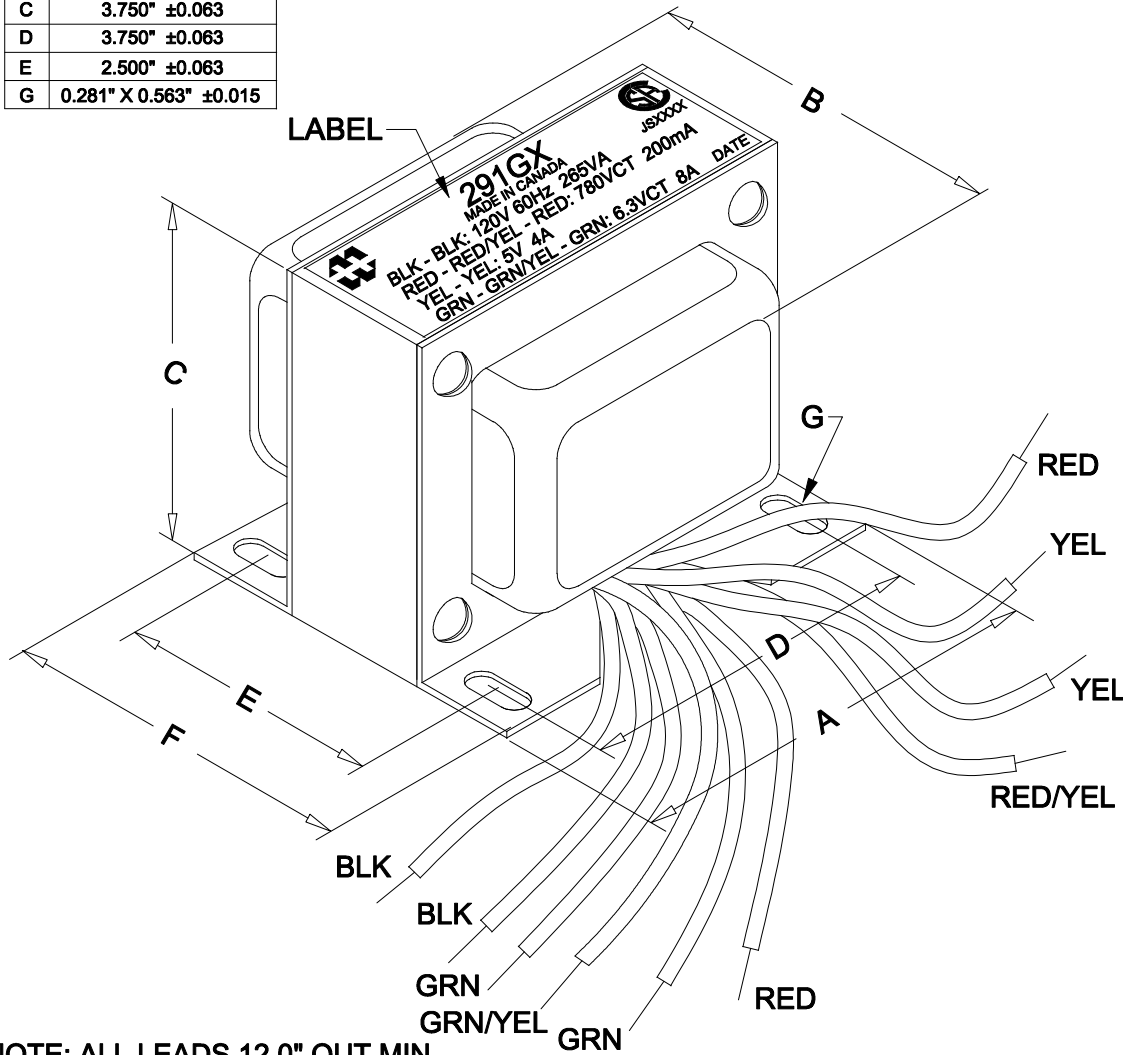


DIMENSIONS:	
A	4.500" ±0.063
B	3.800" ±0.125
C	3.750" ±0.063
D	3.750" ±0.063
E	2.500" ±0.063
G	0.281" X 0.563" ±0.015



NOTE: ALL LEADS 12.0" OUT MIN.

ELECTRICAL DATA:		
TESTS	CONDITIONS	ACCEPTANCE CRITERIA
lex	@ 120V, 60Hz, BLK - BLK	367.2mA Max.
Sec. N.L.V	@ 120V, 60Hz, BLK - BLK	
	RED - RED/YEL = RED/YEL - RED =	410.2V ±2%
	RED - RED =	820.4V ±2%
	YEL - YEL =	5.259V ±2%
	GRN - GRN/YEL = GRN/YEL - GRN =	3.347V ±2%
	GRN - GRN =	6.693V ±2%
DCR	@ 20°C, BLK - BLK =	0.987 Ω ±20%
	@ 20°C, RED - RED =	81.22 Ω ±20%
	@ 20°C, YEL - YEL =	0.035 Ω ±20%
	@ 20°C, GRN - GRN =	0.023 Ω ±20%
HIPOT	PRIMARY - SECONDARY	3000V, 60Hz, 1 SEC

REV.#	REVISION	DATE
0	PRELIMINARY.	D.H. 11/13/18
1	ADDED CT TO 6.3V WINDING.	C.I. 11/20/23



ELECTRONIC DIVISION

52 RANKIN PLACE,
WATERLOO, ONTARIO, N2J 3Z5

PH # (519) 886-6181
FAX # (519) 886-9540

DWG. BY: D.Hutt
DATE: 01/21/19

CHK'D BY:
APP'D. BY:
DIMENSIONS: IN(X) MM()

TITLE:
POWER TRANSFORMER

DWG. NO.
291GX