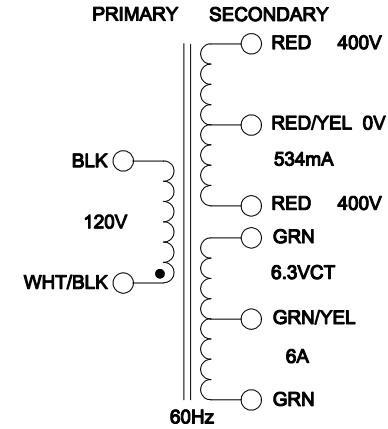
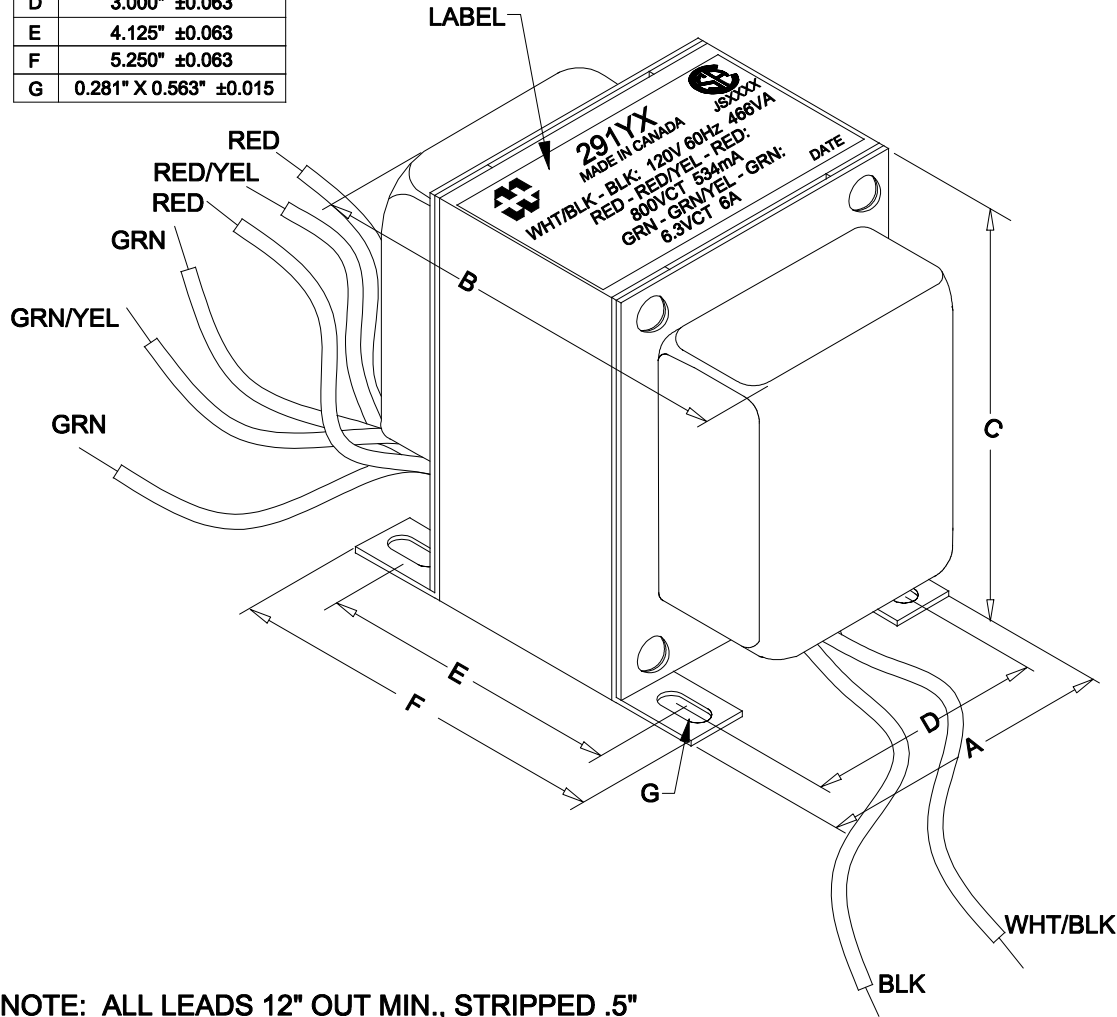


DIMENSIONS:	
A	3.750" ±0.063
B	5.625" ±0.125
C	4.500" ±0.063
D	3.000" ±0.063
E	4.125" ±0.063
F	5.250" ±0.063
G	0.281" X 0.563" ±0.015



NOTE: ALL LEADS 12" OUT MIN., STRIPPED .5"

ELECTRICAL DATA:		
TESTS	CONDITIONS	ACCEPTANCE CRITERIA
Iex	@ 120V, 60Hz, WHT/BLK - BLK	735mA Max.
Sec. N.L.V	@ 120V, 60Hz, WHT/ BLK - BLK	
	RED - RED/YEL = RED/YEL - RED =	410.2V ±2%
	RED - RED =	820.4V ±2%
	GRN - GRN/YEL = GRN/YEL - GRN =	3.273V ±2%
	GRN - GRN =	6.545V ±2%
DCR	@ 20°C, WHT/BLK - BLK =	0.302 Ω ±20%
	@ 20°C, RED - RED =	18.83 Ω ±20%
	@ 20°C, GRN - GRN =	0.013 Ω ±20%
HIPOT	PRIMARY - SECONDARY	3000V, 60Hz, 1 SEC

REV.#	REVISION	DATE
0	RELEASED.	C.I. 09/23/20

HAMMOND
MANUFACTURING™

ELECTRONIC DIVISION
52 RANKIN PLACE,
WATERLOO, ONTARIO, N2J 3Z5

PH # (519) 886-6181
FAX # (519) 886-9540

DWG. BY: C. ILIE
DATE: 09/23/20

CHK'D BY:
APP'D. BY:
DIMENSIONS: IN(X) MM()

TITLE: POWER
TRANSFORMER

DWG. NO.
291YX