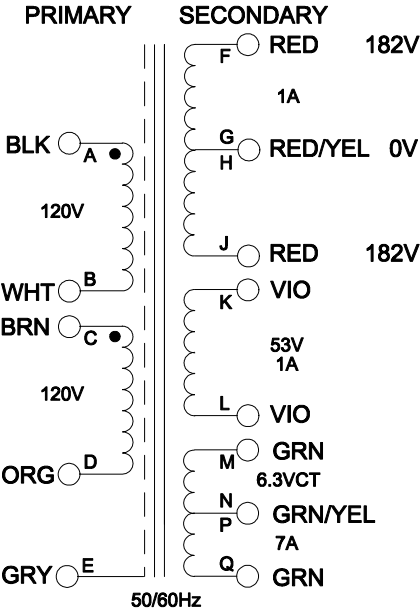
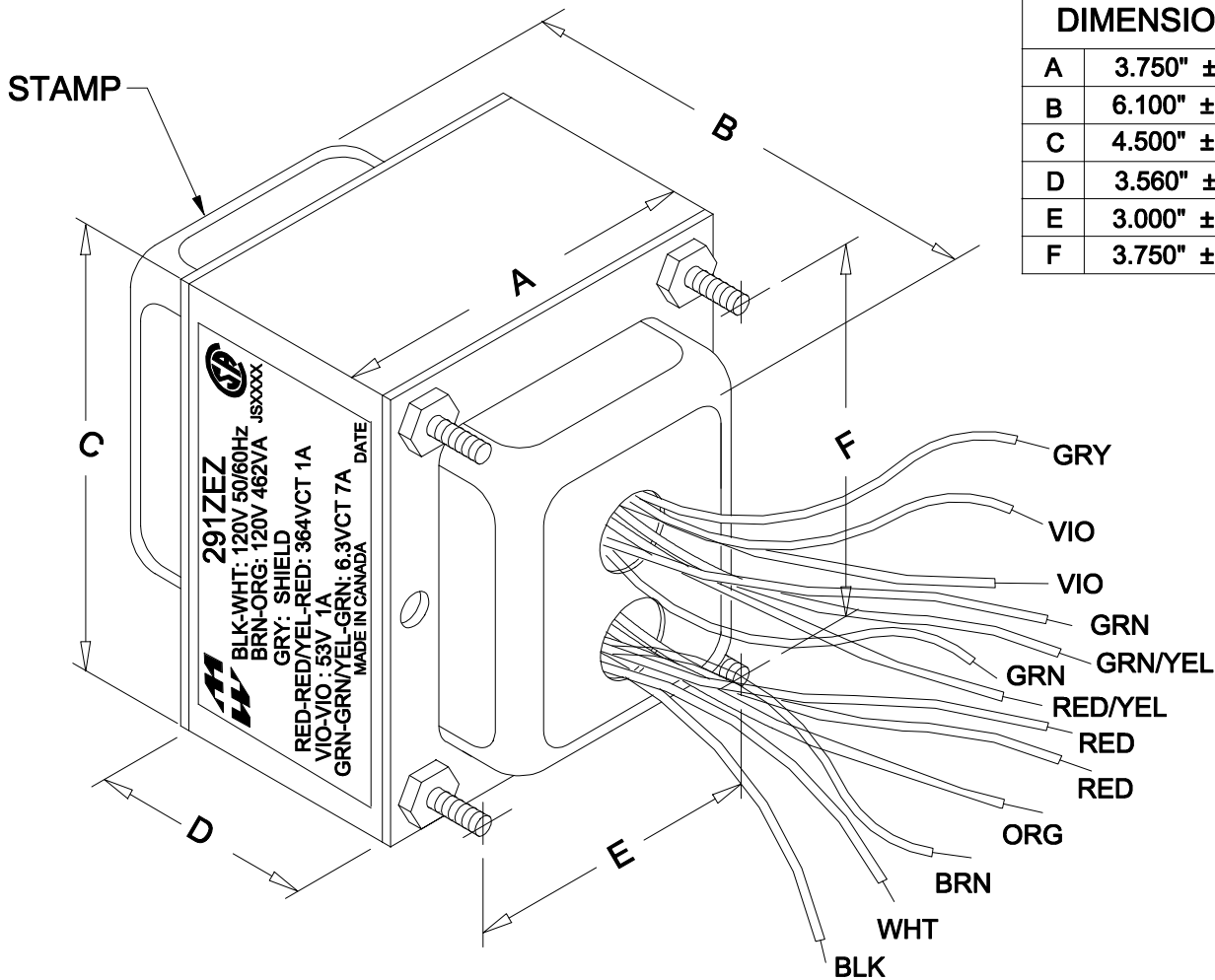


DIMENSIONS:	
A	3.750" ±0.063
B	6.100" ±0.063
C	4.500" ±0.063
D	3.560" ±0.063
E	3.000" ±0.063
F	3.750" ±0.063



NOTE: ALL LEADS 14" OUT MIN., STRIPPED .5"

ELECTRICAL DATA:	
URNS RATIO:	1 : 3.13 (BLK/WHT - RED/RED)
lex	@ 240V, 50Hz, BLK - BLK = 300mA Max.
DCR	@ 20°C, BLK-WHT/BRN-ORN - WHT = 0.55 Ω
	@ 20°C, RED - RED = 5.98 Ω ±20%
	@ 20°C, GRN - GRN = 0.020Ω ±20%
	@ 20°C, VIO - VIO = 1.00 Ω ±20%
PRI. V	120/240V 50/60 Hz
SEC. RATED V(RMS)	363VCT @ 1.0A / 6.3V @ 7A / 55V @ 1A
SEC. N.L.V.	375 VCT / 6.42V / 56.7V

**HAMMOND
ELECTRONICS**

52 RANKIN PLACE,
WATERLOO, ONTARIO, N2L 3Z5.

PHONE (519) 886-6181
FAX # (519) 886-9540

TITLE		POWER TRANSFORMER	
		DR BY	D.H.
		DATE	05/12/09
NO	DATE	REVISION	DIM IN(X)MM()

291ZEZ