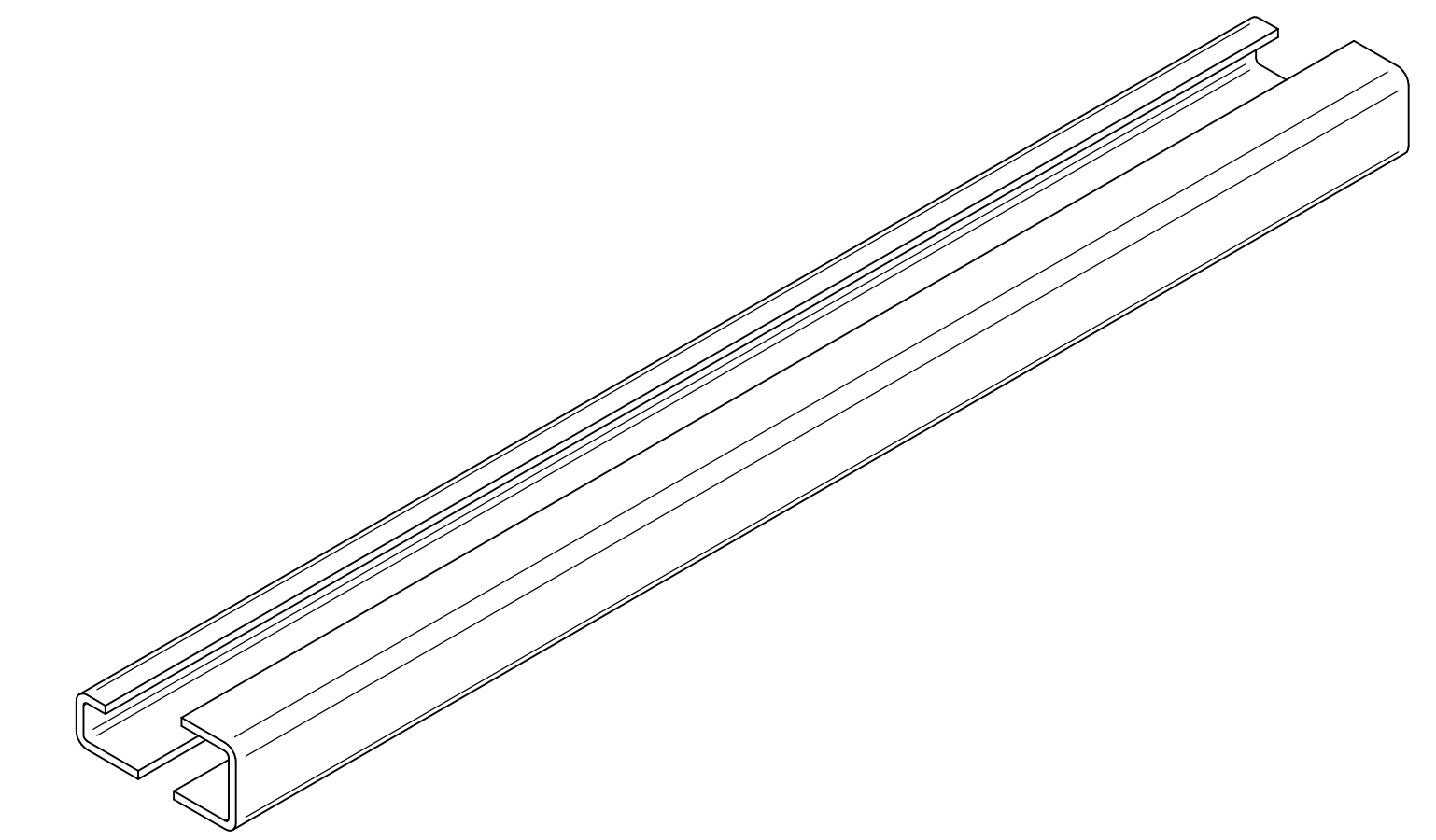
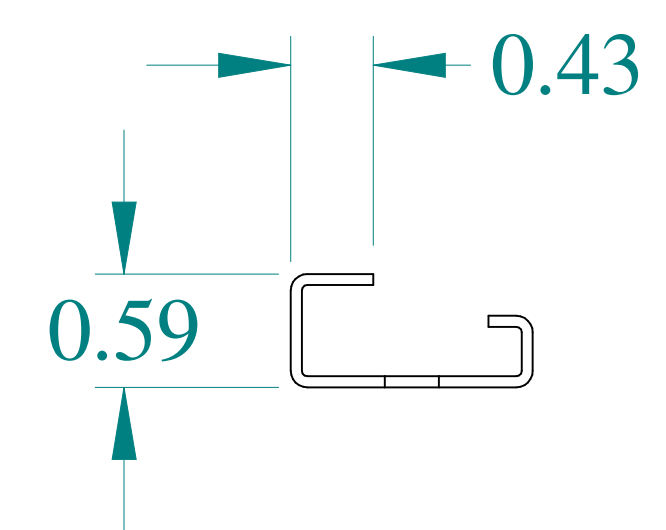
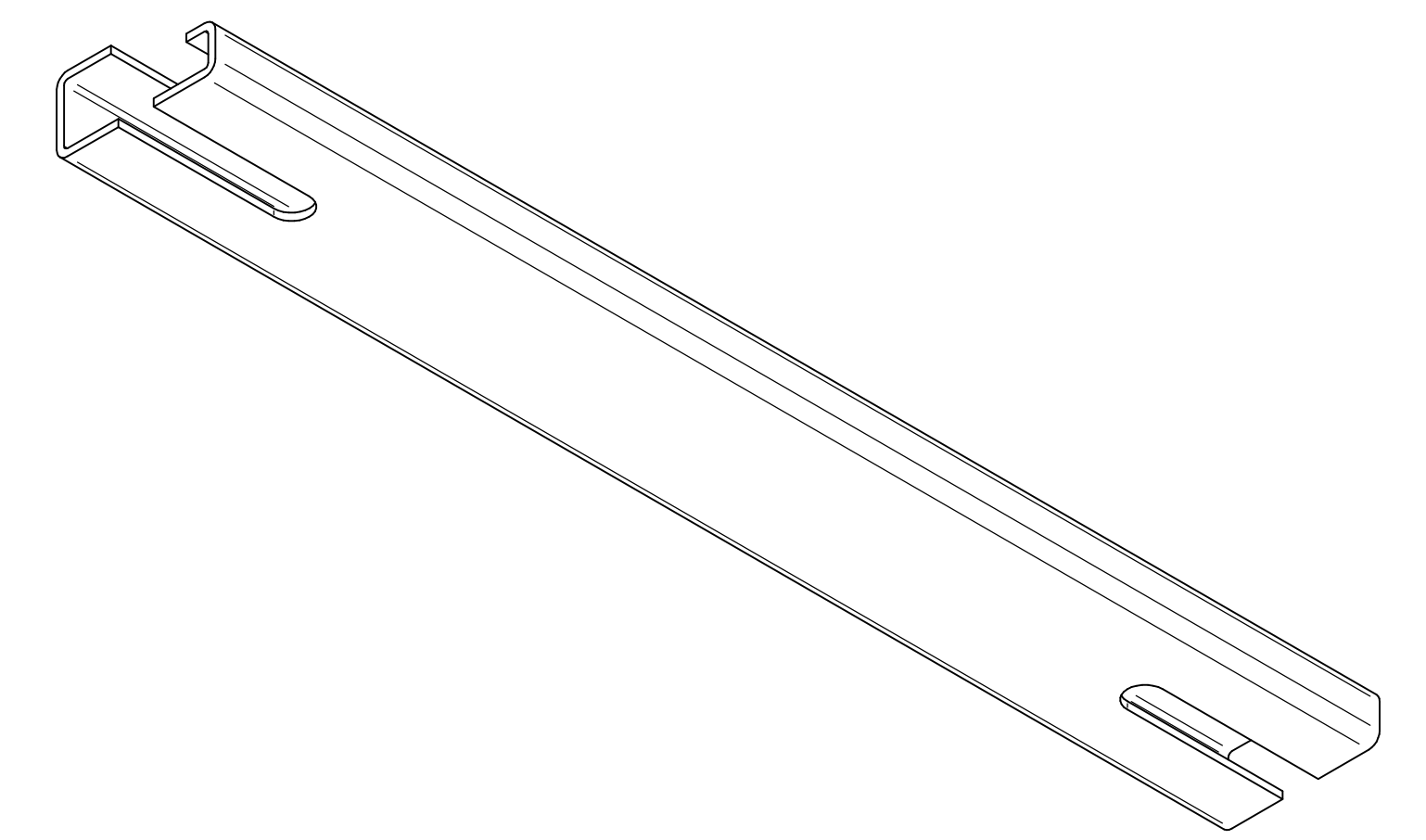


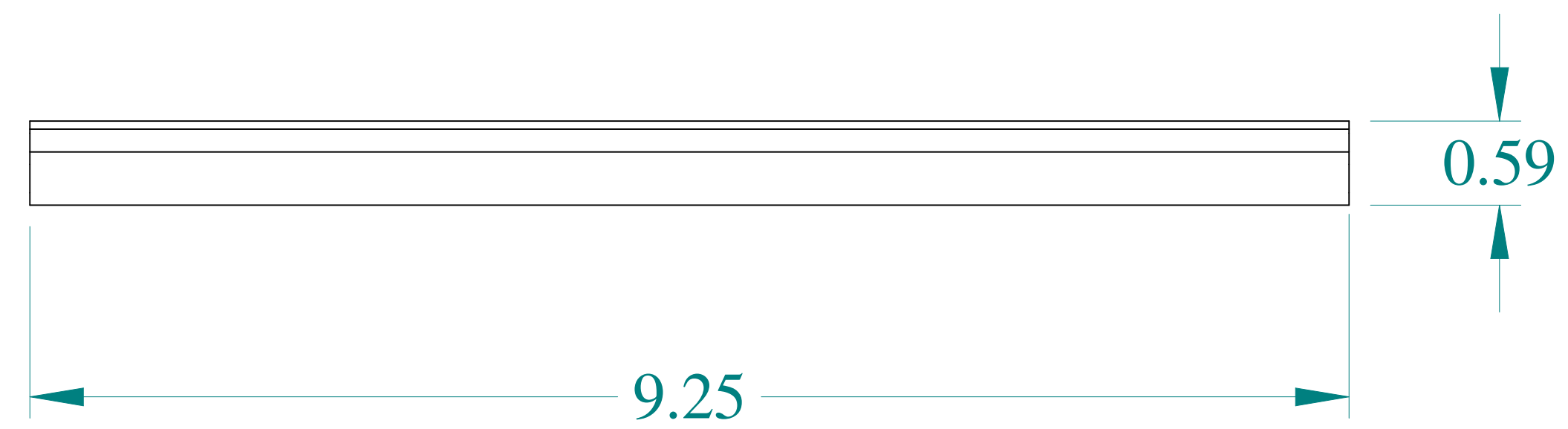
TOP VIEW



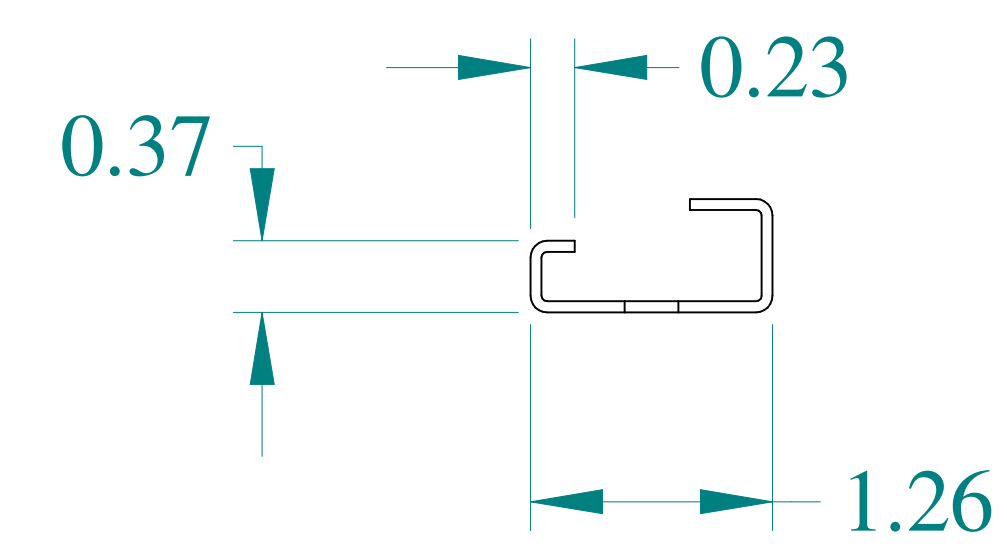
ISOMETRIC VIEWS



SIDE VIEW



FRONT VIEW



SIDE VIEW



BOTTOM VIEW



Data subject to change without notice.

Part # : 2D1K12

Date : Mar. 24, 2019

Link: www.hammmfg.com/2D1K12