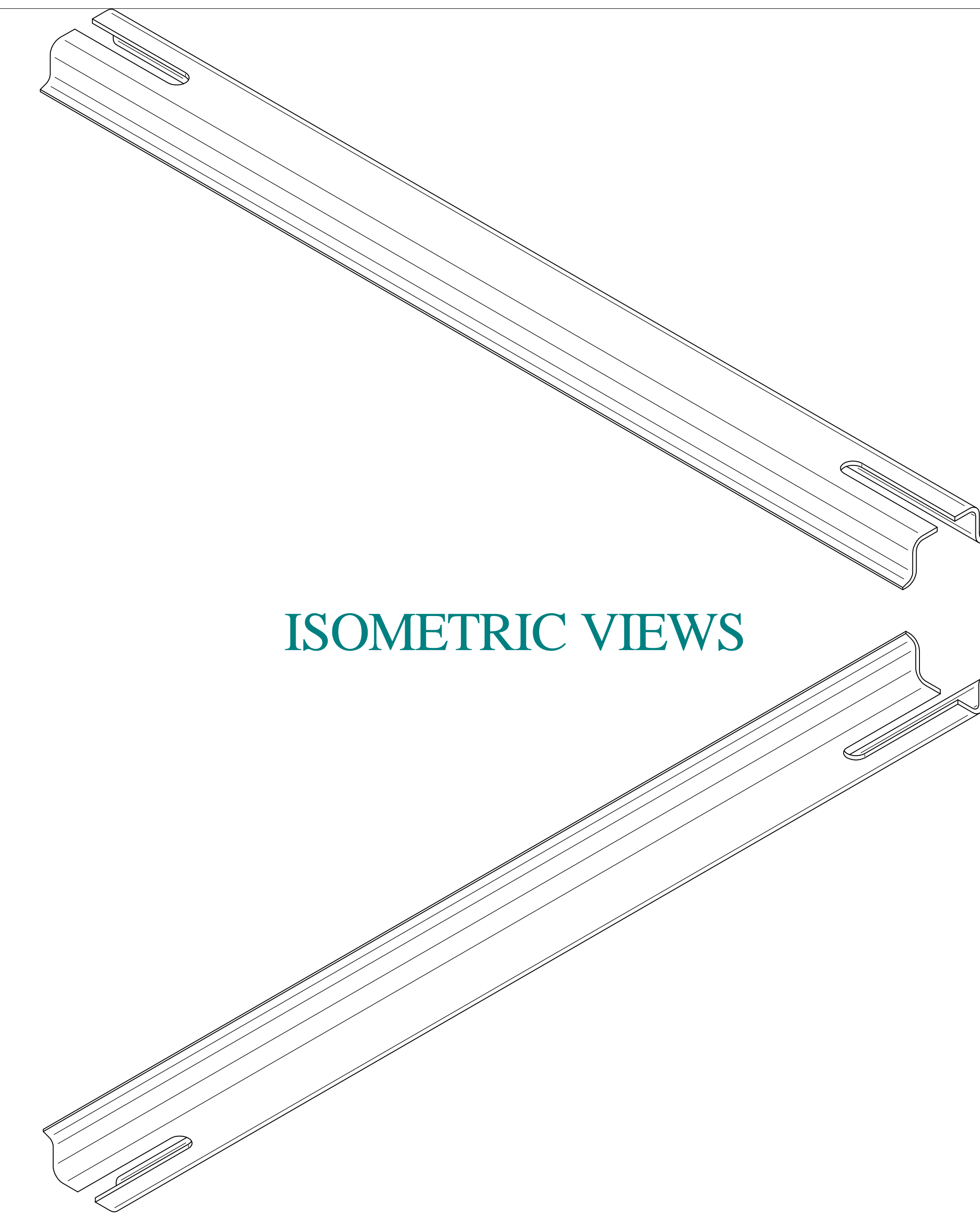
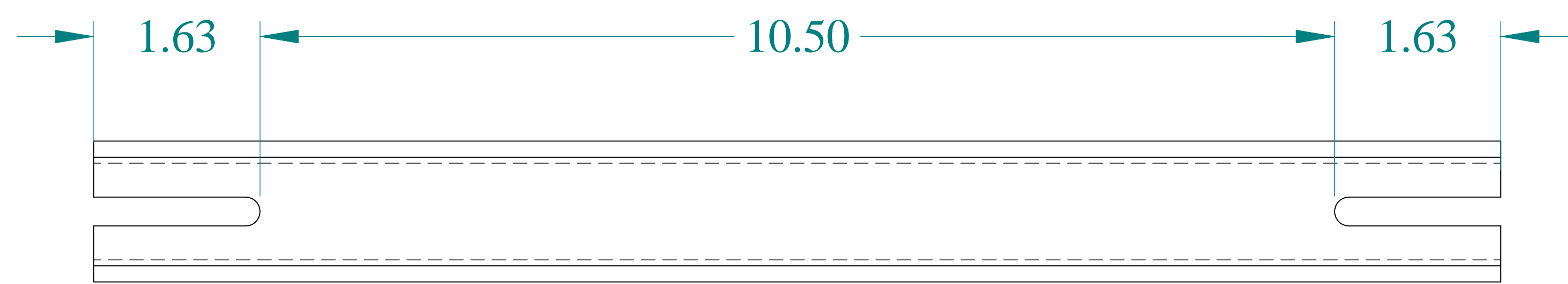


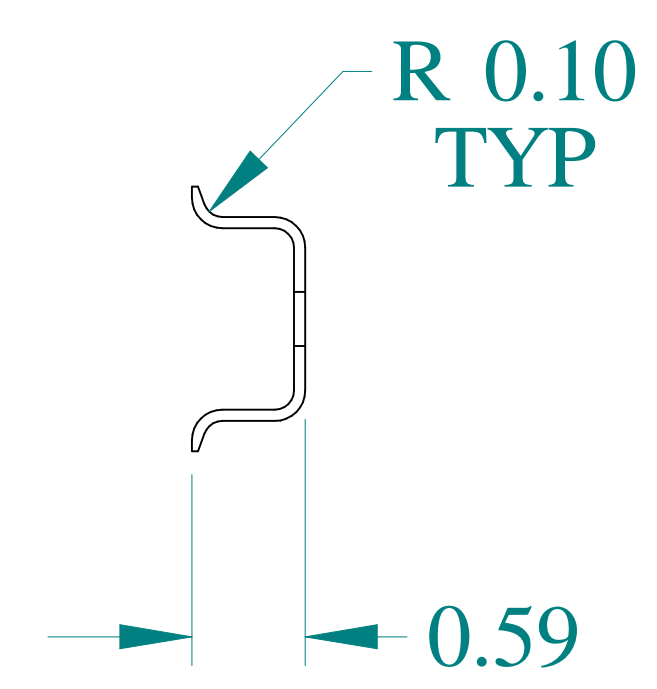
TOP VIEW



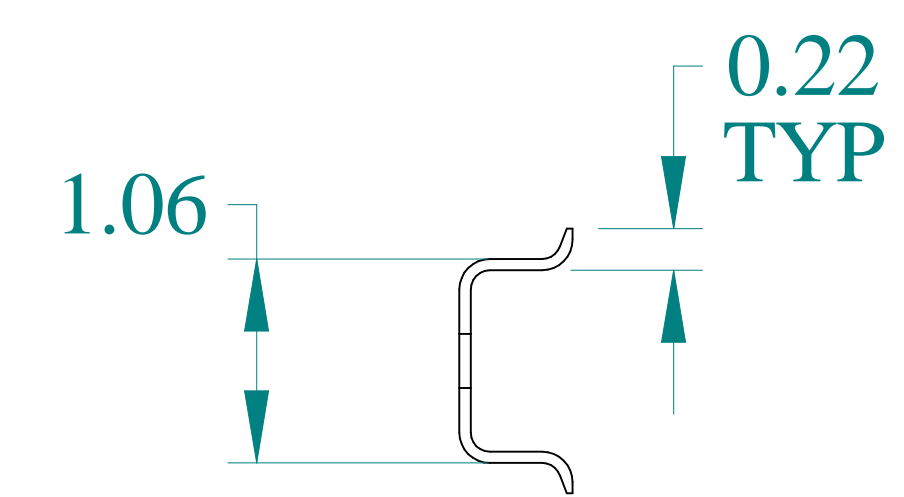
ISOMETRIC VIEWS



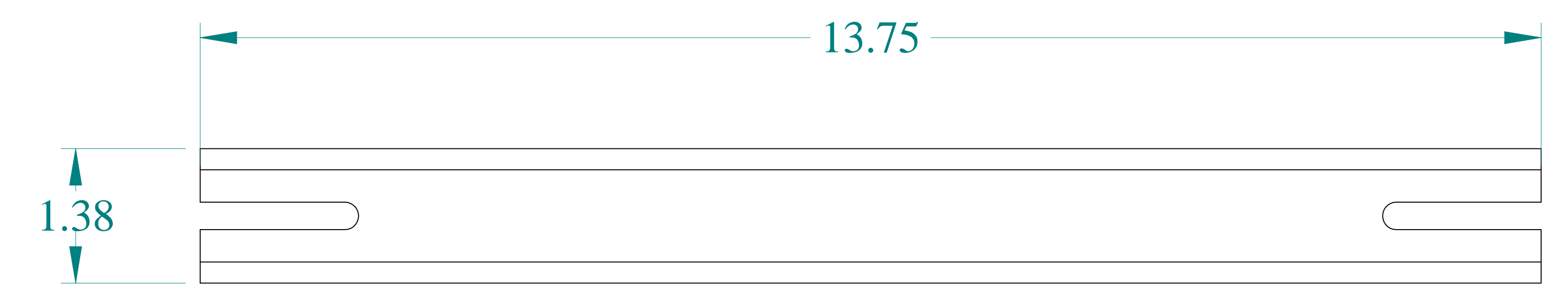
FRONT VIEW



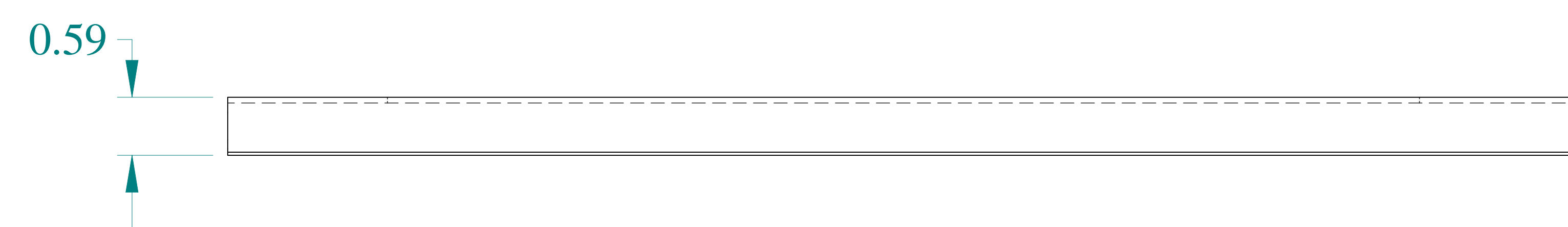
SIDE VIEW



SIDE VIEW



BACK VIEW



BOTTOM VIEW

**HAMMOND  
MANUFACTURING®**

[www.hammondmfg.com](http://www.hammondmfg.com)

Data subject to change without notice.

Part # : 2DCK16

Date : Sep. 30, 2020

[Link:www.hammfg.com/2DCK16](http://Link:www.hammfg.com/2DCK16)