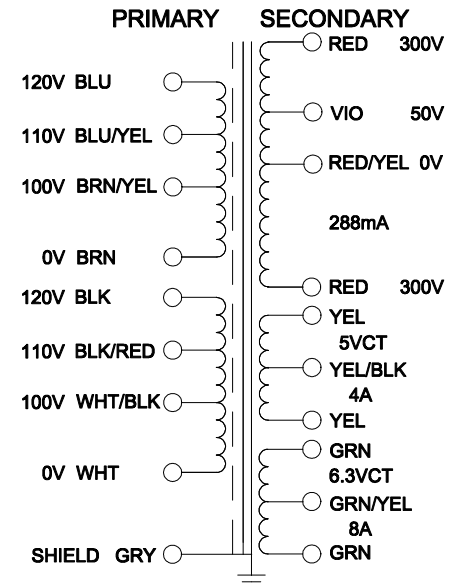
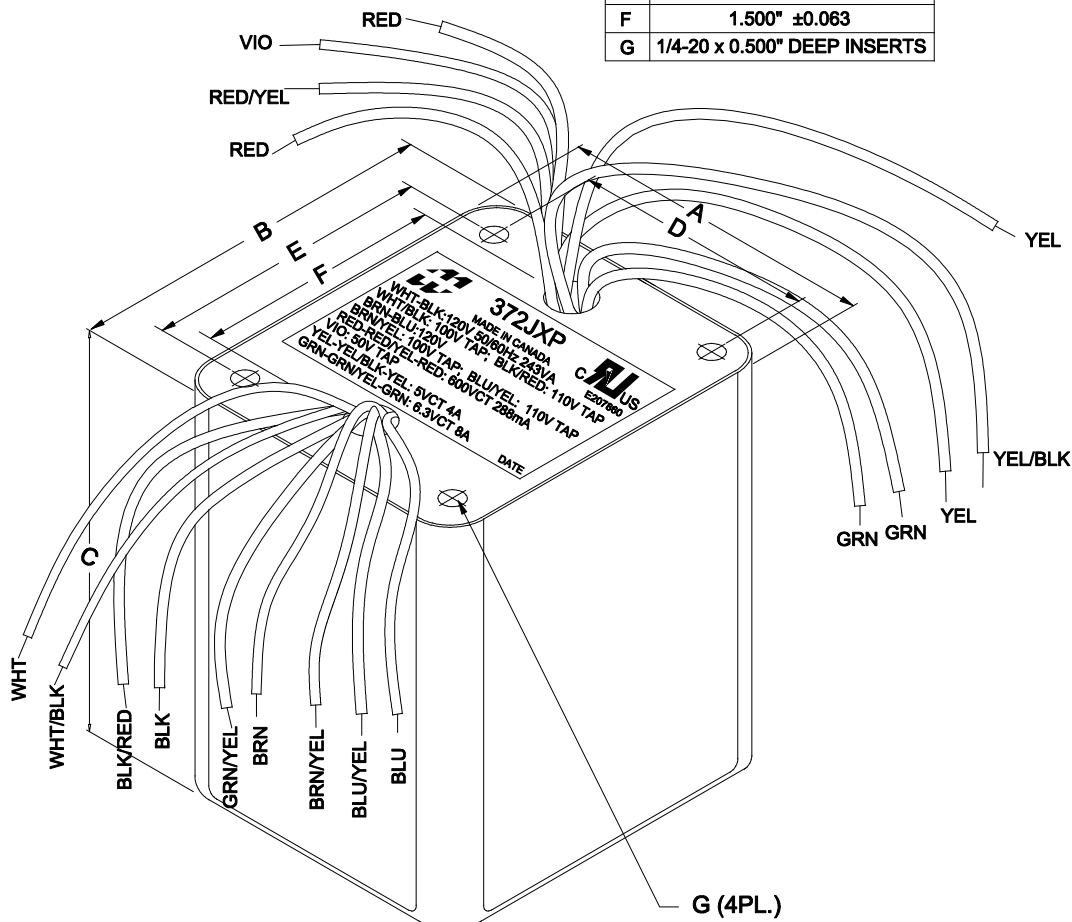


DIMENSIONS:	
A	4.250" ±0.063
B	5.000" ±0.063
C	4.500" ±0.063
D	3.375" ±0.063
E	4.250" ±0.063
F	1.500" ±0.063
G	1/4-20 x 0.500" DEEP INSERTS



NOTE: ALL LEADS 8" OUT MIN., STRIPPED .5"

ELECTRICAL DATA:		
TESTS	CONDITIONS	ACCEPTANCE CRITERIA
Iex	@ 120V, 60Hz, WHT - BLK	86.4mA Max.
Sec. N.L.V	@ 120V, 60Hz, WHT - BLK	
	RED - RED =	629.2V ±2%
	RED - RED/YEL = RED/YEL - RED =	314.6V ±2%
	RED/YEL - VIO =	52.17V ±2%
	YEL - YEL =	5.217V ±2%
	YEL - YEL/BLK = YEL/BLK - YEL =	2.608V ±2%
	GRN - GRN =	6.782V ±2%
	GRN - GRN/YEL = GRN/YEL - GRN =	3.391V ±2%
DCR	@ 20°C, WHT - BLK =	1.957 Ω ±20%
	@ 20°C, BRN - BLU =	2.141 Ω ±20%
	@ 20°C, RED - RED =	49.74 Ω ±20%
	@ 20°C, YEL - YEL =	0.027 Ω ±20%
	@ 20°C, GRN - GRN =	0.037 Ω ±20%
HIPOT	PRIMARY - SECONDARY	2500V, 60Hz, 1 SEC

REV.#	REVISION	DATE
0	RELEASED.	C.I. 04/01/15
1	REVISED.	C.I. 09/25/15

**HAMMOND MANUFACTURING™** ELECTRONIC DIVISION  
 52 RANKIN PLACE, WATERLOO, ONTARIO, N2J 3Z5  
 PH # (519) 886-6181 FAX # (519) 886-9540

DWG. BY: C. ILIE      CHK'D BY:      TITLE: PLATE & FILAMENT POTTED POWER TX.  
 DATE: 04/01/15      APP'D. BY:      DIMENSIONS: IN(X) MM( )      DWG. NO. 372JXP