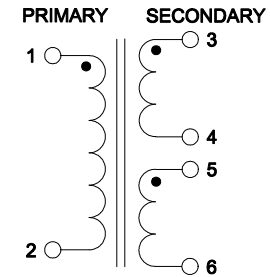
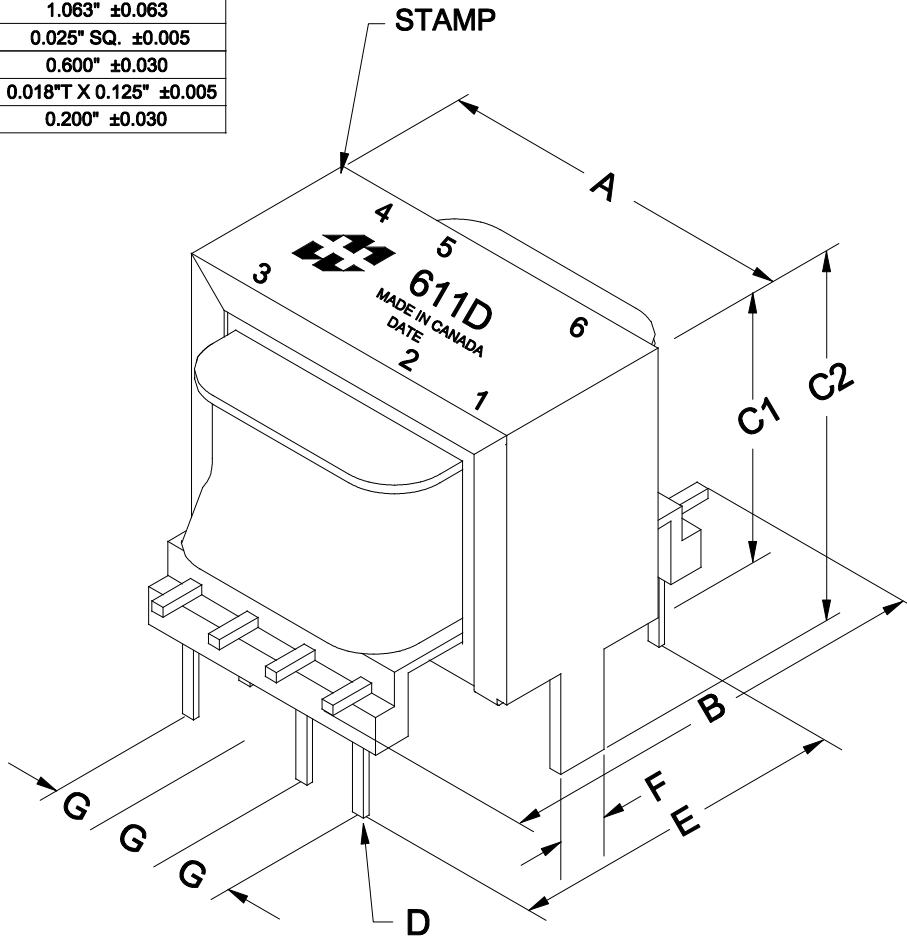


DIMENSIONS:	
A	1.060" ±0.063
B	0.895" ±0.063
C1	0.820" ±0.063
C2	1.063" ±0.063
D	0.025" SQ. ±0.005
E	0.600" ±0.030
H	0.018" T X 0.125" ±0.005
G	0.200" ±0.030



CIRCUIT VOLTAGE: 250V MAX.  
 PRIMARY ET CONSTANT: 4000V $\mu$ Sec.  
 MAX. PRIMARY OR SECONDARY PEAK CURRENT:  
 @ 1% DUTY 2.1A  
 @ 10% DUTY 0.7A  
 WEIGHT: 1.2oz. (0.075Lbs.)

ELECTRICAL DATA:		
TESTS	CONDITIONS	ACCEPTANCE CRITERIA
I <sub>ex</sub>	@ 5V, 420Hz, Pin 1 - Pin 2	41mA Max.
Sec. N.L.V	@ 5V, 420Hz, Pin 1 - Pin 2	
	Pin 3 - Pin 4 =	5.000V ±2%
	Pin 5 - Pin 6 =	5.000V ±2%
Inductance	@ 1V, 1kHz, Pin 1 - Pin 2	17mH Min.
DCR	@ 20°C, Pin 1 - Pin 2 =	1.543 $\Omega$ ±15%
	@ 20°C, Pin 3 - Pin 4 =	1.910 $\Omega$ ±15%
	@ 20°C, Pin 5 - Pin 6 =	2.262 $\Omega$ ±15%
HIPOT	PRIMARY - SECONDARY	1500V, 60Hz, 1 SEC

REV.#	REVISION	DATE	HAMMOND ELECTRONIC DIVISION		52 RANKIN PLACE, WATERLOO, ONTARIO, N2J 3Z5		PH # (519) 886-6181
0	RELEASED.	C.I. 05/04/16	MANUFACTURING™				FAX # (519) 886-9540
			DWG. BY: C. ILIE	CHK'D BY:	TITLE: PULSE TRANSFORMER	DWG. NO. 611D	
			DATE: 05/04/16	APP'D. BY:			
				DIMENSIONS: IN(X) MM( )			